

CHAPTER

35

OXYGEN

CESSNA®
MODEL 208
 ILLUSTRATED PARTS CATALOG

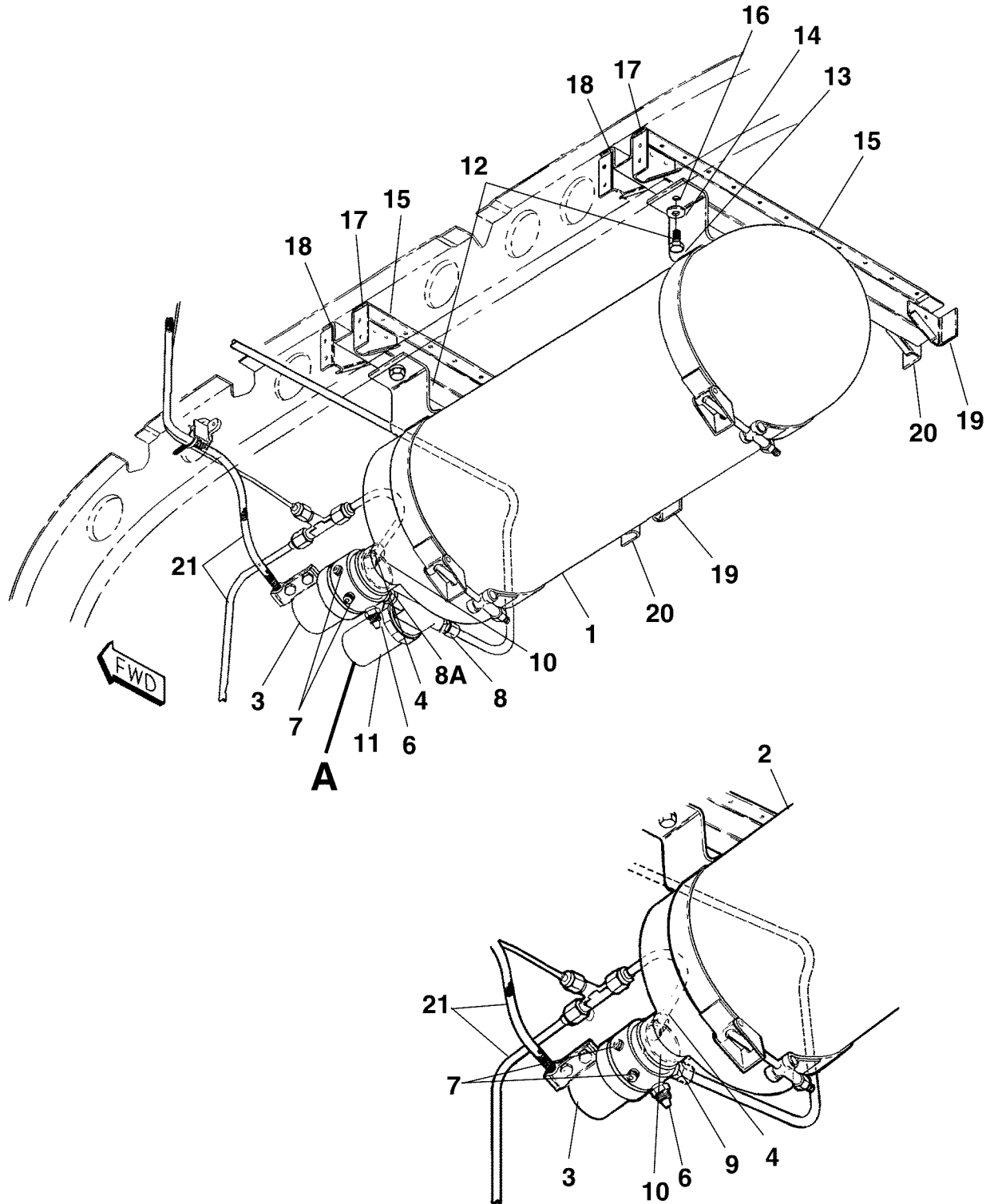
<u>CHAPTER SECTION SUBJECT</u>		<u>NUMBER OF PAGES</u>	<u>DATE</u>
35 - TITLE			
35 - LIST OF EFFECTIVE PAGES			
35 - RECORD OF TEMPORARY REVISIONS			
35 - TABLE OF CONTENTS			
35-01-00	Figure 01	2	Sep 1/2019
35-01-00	Figure 02	2	Sep 1/2019
35-10-00	Figure 01	4	Jun 1/2010
35-10-00	Figure 02	4	Jun 1/2010
35-10-00	Figure 03	2	Sep 1/2016
35-10-00	Figure 04	4	Sep 1/2016
35-10-00	Figure 05	4	Sep 1/2016
35-10-01	Figure 01	2	Mar 1/2018
35-10-01	Figure 02	4	Mar 1/2018
35-10-01	Figure 03	4	Mar 1/2018
35-10-01	Figure 04	8	Mar 1/2018
35-11-00	Figure 01	2	Nov 4/2002
35-11-00	Figure 02	2	Aug 1/1995
35-13-00	Figure 01	2	Jun 1/2010
35-14-00	Figure 01	6	Mar 1/2019
35-15-00	Figure 01	2	Sep 1/2016

CESSNA®
MODEL 208
 ILLUSTRATED PARTS CATALOG

<u>SUBJECT</u>	<u>CHAPTER SECTION SUBJECT</u>	<u>FIGURE</u>	<u>EFFECTIVITY</u>	
			<u>START</u>	<u>END</u>
OXYGEN CYLINDER AND REGULATOR INSTALLATION - 50.67 CUBIC FOOT	35-01-00	01		
OXYGEN CYLINDER AND REGULATOR INSTALLATION - 116.95 CUBIC FOOT	35-01-00	02	0001 B0214	& ON & ON
OXYGEN SYSTEM - 2 PORT	35-10-00	01	0001	0207
OXYGEN SYSTEM - 2 PORT	35-10-00	02	0310 0523	0395 & ON
OXYGEN SYSTEM - 2 PORT	35-10-00	03	B0001	B0309
OXYGEN SYSTEM - 2 PORT PASSENGER VERSION	35-10-00	04	B0310	B0407
OXYGEN SYSTEM - 2 PORT PASSENGER VERSION	35-10-00	05	B0408	& ON
OXYGEN SYSTEM - 10 PORT	35-10-01	01	0001	0207
OXYGEN SYSTEM - 10 PORT	35-10-01	02	0208	& ON
OXYGEN SYSTEM - 13 PORT PASSENGER VERSION	35-10-01	03	B0214	B0465
OXYGEN SYSTEM - 14 PORT PASSENGER VERSION	35-10-01	04	B0466	& ON
OXYGEN FILLER VALVE INSTALLATION	35-11-00	01		
OXYGEN FILLER VALVE INSTALLATION	35-11-00	02	B0214	& ON
OXYGEN OUTLET VALVE ASSEMBLIES	35-13-00	01		
OXYGEN CONTROL INSTALLATION	35-14-00	01		
OXYGEN MASKS AND LINES	35-15-00	01		

CESSNA®
MODEL 208
 ILLUSTRATED PARTS CATALOG

A24852



DETAIL A

26143008A
 A26141059
 A26143008A

OXYGEN CYLINDER AND REGULATOR INSTALLATION - 50.67 CUBIC FOOT
 FIGURE 01 (SHEET 1)

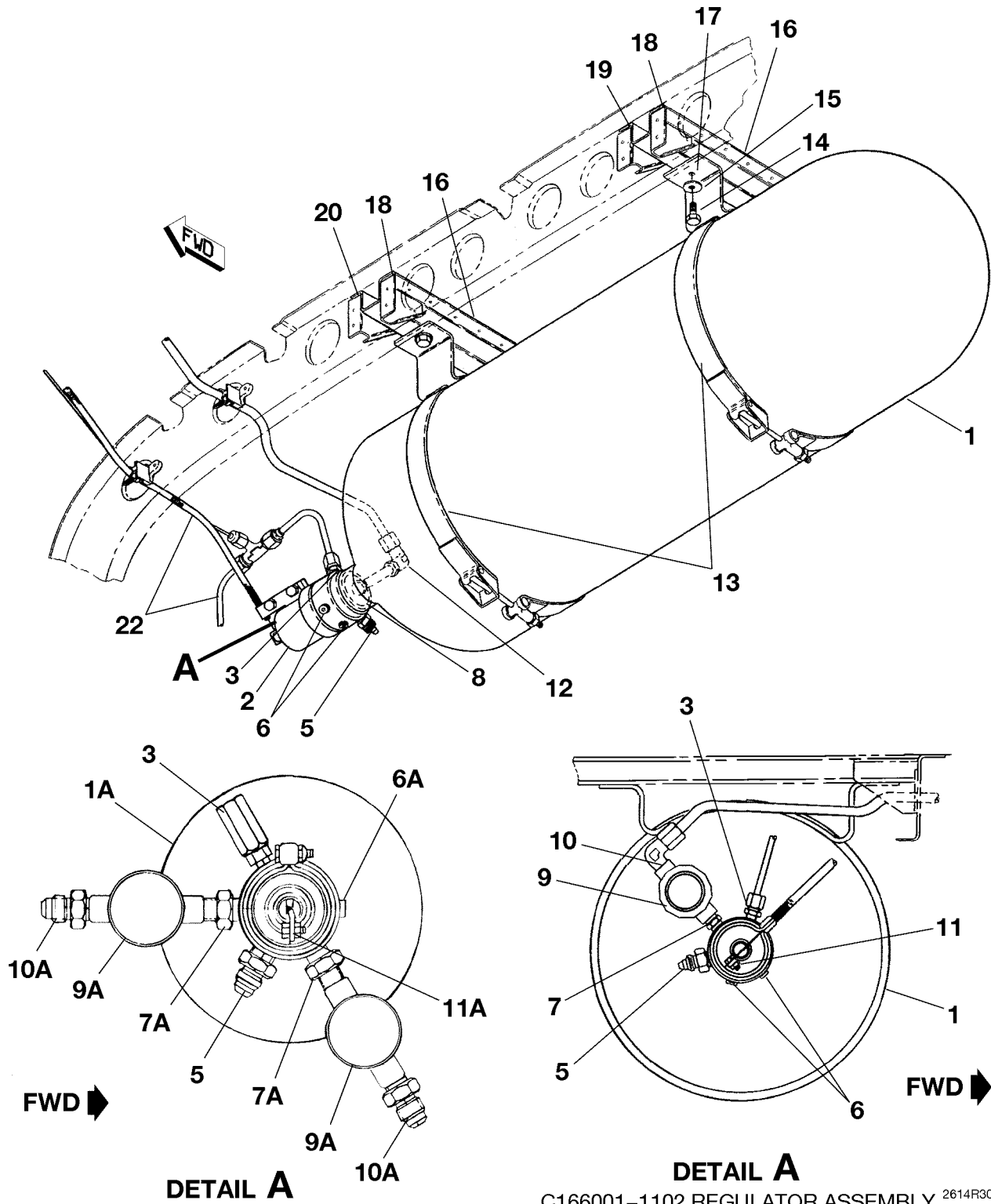
CESSNA®
MODEL 208
ILLUSTRATED PARTS CATALOG

FIG ITEM	PART NUMBER	NOMENCLATURE	UNITS PER ASSY		
			1	2	3
01		OXYGEN CYLINDER AND REGULATOR INSTALLATION - 50.67 CUBIC FOOT			RF
- 1	C166001-1101	. CYLINDER AND REGULATOR ASSY-OXYGEN	0001	& ON	01
			B0045	& ON	
2	C166001-1201	. CYLINDER AND REGULATOR ASSY-OXYGEN REFER TO NOTE 1 AND NOTE 2	0001	& ON	01
			B0001	& ON	
3	172400	. . REGULATOR-OXYGEN V02217 ATTACHING PARTS			01
- 3A	440083-01	. . . CLAMP V02217			01
- 3B	800516-02	. . . SCREW V02217			02
- 3C	800650-08	. . . WASHER V02217			02
- 3D	800273	. . . LOCK NUT V02217 —*—			02
4	170043	. . VALVE-FILL V02217			01
- 5	M83248/1-011	. . O-RING			01
6	170912-04	. . SAFETY FITTING			01
7	500910	. . PLUG			02
8	500921-52	. . NIPPLE V02217	0001	& ON	01
			B0045	& ON	
8A	500924	. . NIPPLE V02217	0001	& ON	01
			B0045	& ON	
9	500921-52	. . NIPPLE REFER TO NOTE 2 V02217	0001	& ON	01
			B0001	& ON	
10	632049	. . O-RING			01
11	172055	. . ALTITUDE REGULATOR-PRESSURE COMPENSATED V02217			01
12	C166007-0108	. MOUNTING BRACKET-OXYGEN CYLINDER MOUNTING ATTACHING PARTS			02
13	AN3-5A	. BOLT			04 R
14	NAS1149DN949H	. WASHER —*—			02
15	2612091-1	. SUPPORT ASSY-OXYGEN BOTTLE			02
16	MS21047L3	. . NUTPLATE			02
17	2612090-1	. CORNER BRACE-LH FWD CORNER			02
18	2612090-2	. CORNER BRACE-RH FWD CORNER			02
19	2612089-1	. CORNER BRACE-LH AFT CORNER			02
20	2612089-2	. CORNER BRACE-RH AFT CORNER			02
21		. OXYGEN SYSTEM-2 PORT	0001	& ON	RF
- 22		. OXYGEN SYSTEM-2 PORT	B0001	& ON	RF

NOTE 1—USED WITH QUICK DONNING MASK
NOTE 2—NOT APPLICABLE TO PASSENGER VERSION

CESSNA®
MODEL 208
 ILLUSTRATED PARTS CATALOG

A24853



DETAIL A
 C166001-1103 REGULATOR ASSEMBLY

DETAIL A
 C166001-1102 REGULATOR ASSEMBLY 2614R3009
 A2614R1045
 A2614R1490

OXYGEN CYLINDER AND REGULATOR INSTALLATION - 116.95 CUBIC FOOT
 FIGURE 02 (SHEET 1)

CESSNA®
MODEL 208
ILLUSTRATED PARTS CATALOG

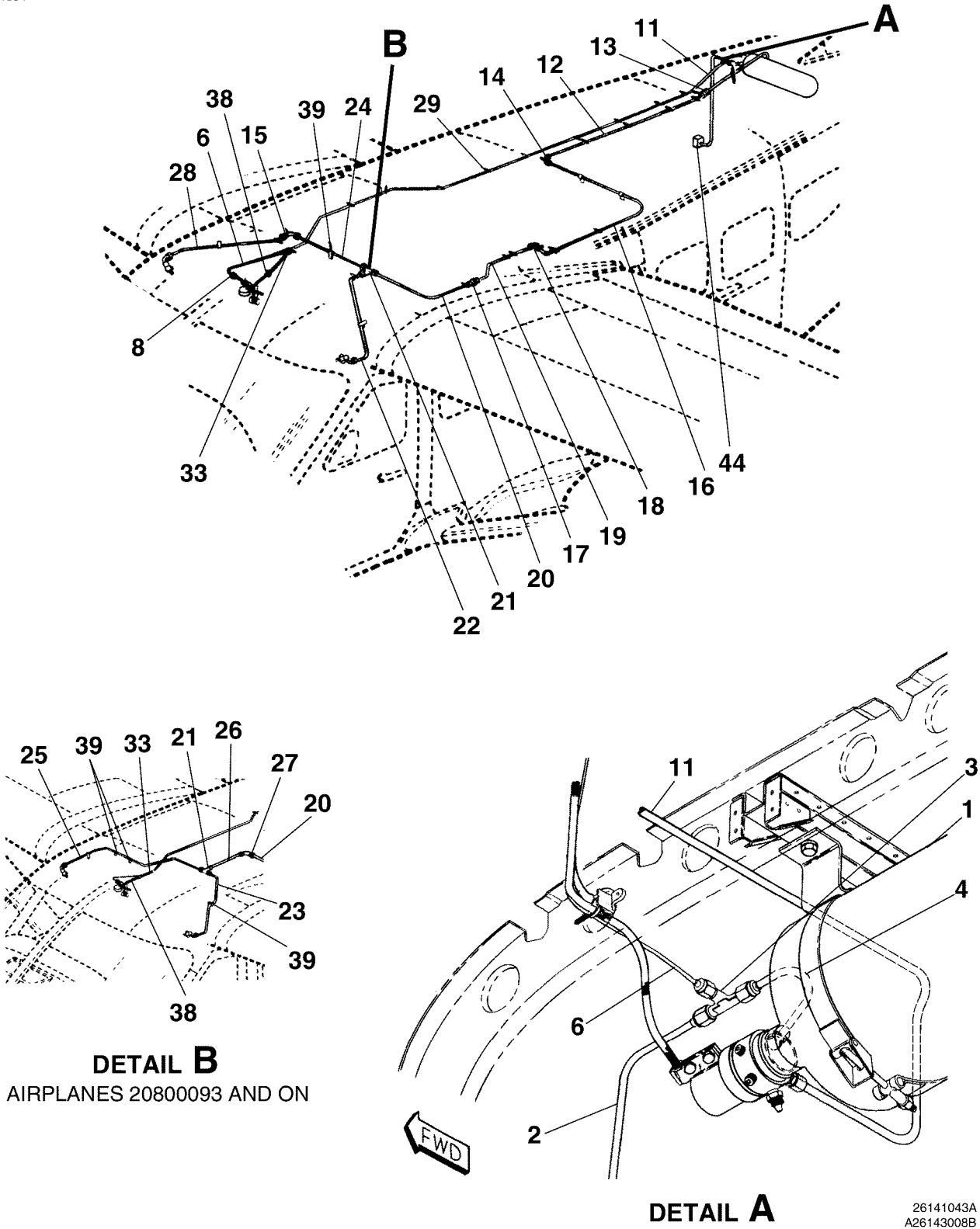
FIG ITEM	PART NUMBER	NOMENCLATURE	UNITS PER ASSY		
			1	2	3
02		OXYGEN CYLINDER AND REGULATOR INSTALLATION - 116.95 CUBIC FOOT	0001	& ON	RF
-			B0214	& ON	
1	C166001-1102	. CYLINDER AND REGULATOR ASSY-OXYGEN-REFER TO NOTE 1			01
1A	C166001-1103	. CYLINDER AND REGULATOR ASSY-OXYGEN-REFER TO NOTE 1 V02217	0371	& ON	01
			B1040	& ON	
2	172400	. . REGULATOR ASSY-OXYGEN V02217			01
		ATTACHING PARTS			
- 2A	440083-01	. . . CLAMP V02217			01
- 2B	800516-02	. . . SCREW V02217			02
- 2C	800650-08	. . . WASHER V02217			02
- 2D	800273	. . . LOCK NUT V02217			02
		—*—			
3	170043	. . ADAPTER-OXYGEN FILL V02217			01
- 4	M83248/1-011	. . O-RING V02217			01
5	170912-04	. . SAFETY FITTING			01
6	500910	. . PLUG			02
6A	500910	. . PLUG			01
7	500924	. . NIPPLE V02217			01
7A	AN911-1D	. . NIPPLE-REFER TO NOTE 1			02
8	632049	. . O-RING			01
9	172055	. . ALTITUDE REGULATOR-OXYGEN PRESSURE COMPENSATED V02217			01
9A	172055	. . ALTITUDE REGULATOR-OXYGEN PRESSURE COMPENSATED REFER TO NOTE 1 V02217			02
10	500921-52	. . NIPPLE V02217			01
10A	500921-52	. . NIPPLE V02217			02
11	500568	. . RETAINER PIN-OXYGEN VALVE CABLE STOP ASSY V02217			01
11A	800658-04	. . WASHER-SAFETY WIRE CABLE ATTACH V02217			01
12		. ELBOW-REFER TO 35-10-01 FIGURE 01			RF
13	C166007-0107	. MOUNTING BRACKET-OXYGEN CYLINDER MOUNTING			02
		ATTACHING PARTS			
14	AN3-5	. BOLT			02
15	NAS1149DN949H	. WASHER			02
		—*—			
16	2612091-1	. SUPPORT ASSY-OXYGEN BOTTLE			02
17	AS5174D0505	. . UNION			02
18	2612090-1	. CORNER BRACE-LH FWD CORNER			02
19	2612089-1	. CORNER BRACE-LH AFT CORNER			02
20	2612090-2	. CORNER BRACE-RH FWD CORNER			02
- 21	2612089-2	. CORNER BRACE-RH AFT CORNER			02
22		. OXYGEN SYSTEM-10 PORT REFER TO 35-10-01 FIGURE 01	0001	0207	RF
- 23		. OXYGEN SYSTEM-10 PORT REFER TO 35-10-01 FIGURE 02	0208	& ON	RF

NOTE 1—THE C166001-1103 CYLINDER MAY BE FABRICATED USING THE C166001-1102 CYLINDER, 172055 ALTITUDE REGULATOR, AND AN911-1 NIPPLE ASSEMBLY. THIS COMBINATION OF THE C166001-1103 AND THE 3 FABRICATED PARTS (C166001-1103, 172055, AND AN911-1) ARE INTERCHANGEABLE IN THIS ASSEMBLY.

R

CESSNA®
MODEL 208
 ILLUSTRATED PARTS CATALOG

A24854



DETAIL B
 AIRPLANES 20800093 AND ON

DETAIL A

OXYGEN SYSTEM - 2 PORT
 FIGURE 01 (SHEET 1)

26141043A
 A26143008B
 B26141043B

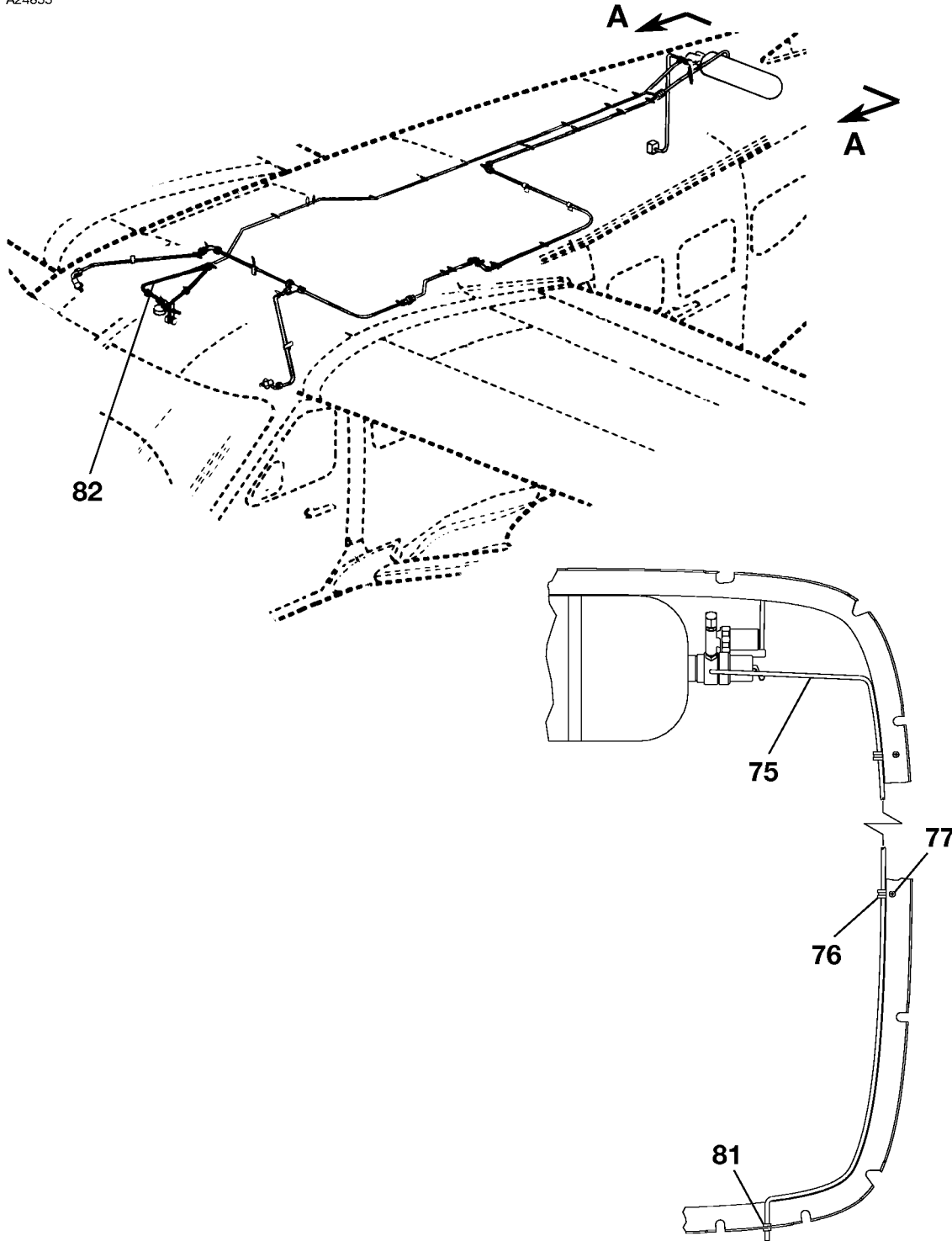
CESSNA®
MODEL 208
 ILLUSTRATED PARTS CATALOG

FIG ITEM	PART NUMBER	NOMENCLATURE	UNITS		
			PER ASSY		
01		OXYGEN SYSTEM - 2 PORT	0001	0207	RF R
-		. OXYGEN CYLINDER AND REGULATOR 50.67 CU FT REFER TO 35-01-00			RF
1		. FIGURE 01			
2	S1721-34	. LINE ASSY OXYGEN CYLINDER TO FILLER VALVE			01
3	S1724-1	. TEE			01
4	S1723-5	. LINE TEE TO REGULATOR			01
- 5	M83248/1-011	. O-RING			01
6	S1722-190	. LINE ASSY OXYGEN GAGE TO TEE			01
- 7	S1399-2	. SLEEVE 30.00 IN LG BKI	0126	0207	01
8	S4132-1	. ANCHOR	0126	0207	01 R
- 9	S1021Z8-8	. SCREW	0126	0207	01
- 10	S2209-1	. STA STRAP	0126	0207	01
11	2600102-72	. LINE ASSY OXYGEN CYLINDER TO UNION	0001	0207	01
12	2600102-40	. LINE ASSY TEE TO ELBOW			01
13	AS5174D0505	. UNION			01
14	AN821-5D	. ELBOW			01
15	AN821-5D	. ELBOW	0001	0092	01
16	2600102-46	. LINE ASSY			01
17	AS5174D0505	. UNION			01
18	AN821-5D	. ELBOW			01
19	2600102-48	. LINE ASSY			01
20	2600102-50	. LINE ASSY			01
21	AN824-5D	. TEE			01
22	2600102-51	. LINE ASSY	0001	0092	01
23	2600102-66	. LINE ASSY	0093	0207	01
24	2600102-52	. LINE ASSY	0001	0092	01
25	2600102-70	. LINE ASSY	0093	0207	01
26	2600102-71	. LINE ASSY	0093	0207	01
27	AN821-5D	. ELBOW	0093	0207	01
28	2600102-55	. LINE ASSY	0001	0092	01
29	S4132-2	. ANCHOR	0001	0125	23 R
- 30	S4132-1	. ANCHOR	0126	0207	23 R
- 31	S1021Z8-8	. SCREW	0126	0207	23
- 32	S2209-1	. STA STRAP			23
33	S4132-2	. ANCHOR	0001	0060	01 R
- 34	S2209-1	. STA STRAP	0001	0060	01
- 35	AN742D3	. CLAMP	0061	0207	01
- 36	MS35206-263	. SCREW	0061	0207	01
- 37	MS21044N3	. NUT	0061	0207	01
38	S2209-1	. STA STRAP	0061	0207	01
39	MS21919DG5	. CLAMP			05
- 40	MS35206-246	. SCREW			05
- 41	NAS1149FN832P	. WASHER			05
- 42	MS21044N08	. NUT			05
- 43	NAS43DD3-12FC	. SPACER	0093	0207	02
- 43A	NAS43DD3-12N	. SPACER ALT FOR NAS43DD3-12FC	0093	0207	02
44		. OXYGEN FILLER VALVE REFER TO 35-11-00 FIGURE 01			RF

- ITEM NOT ILLUSTRATED

CESSNA®
MODEL 208
ILLUSTRATED PARTS CATALOG

A24855



VIEW A-A

AIRPLANES 2080001 THRU 2080382
BRAZILIAN CERTIFIED AIRCRAFT

2614R1043A
A2614T1081

OXYGEN SYSTEM - 2 PORT
FIGURE 01 (SHEET 2)

35-10-00

Figure 01
Page 2
Jun 1/2010

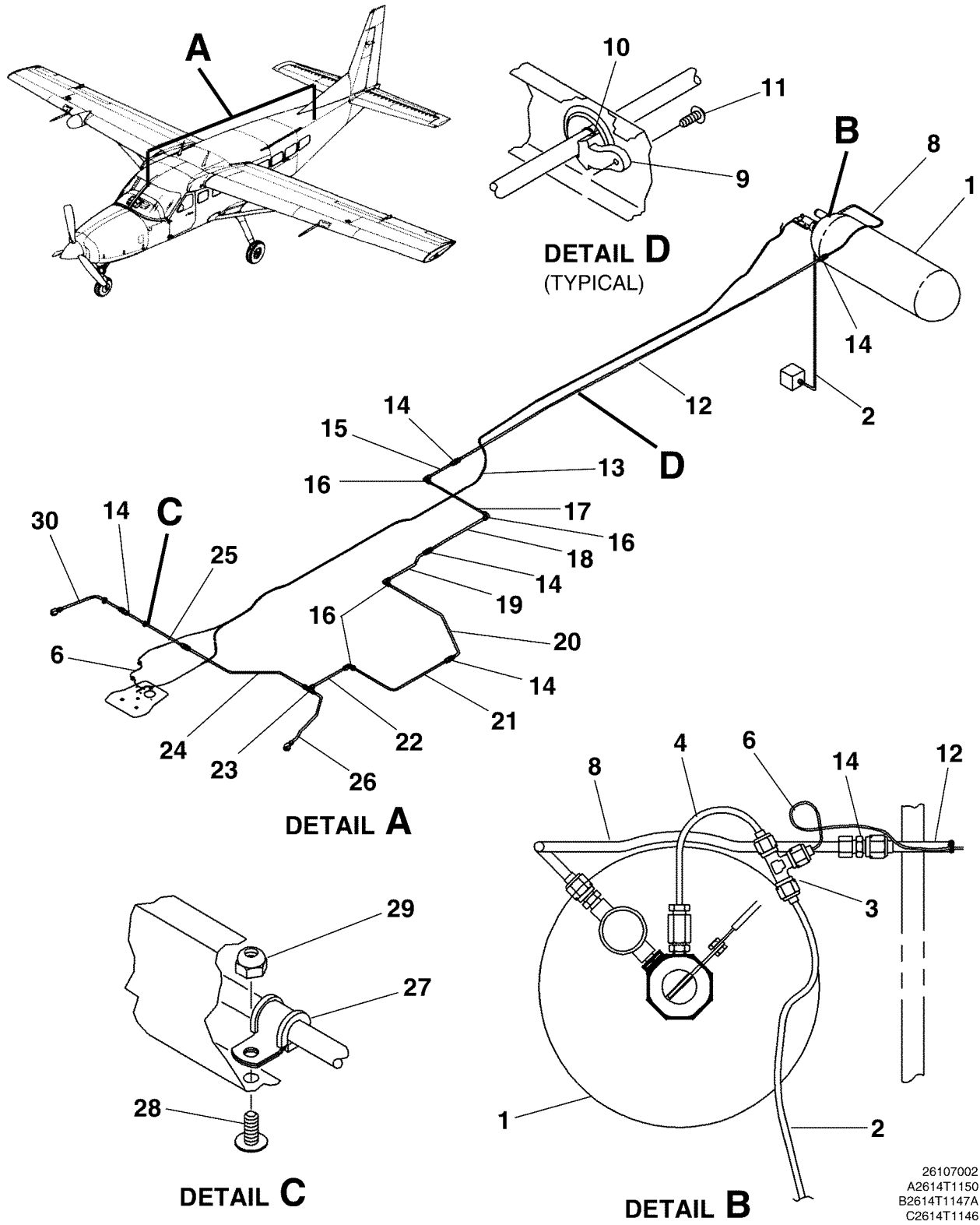
CESSNA®
MODEL 208
 ILLUSTRATED PARTS CATALOG

FIG ITEM	PART NUMBER	NOMENCLATURE	UNITS PER ASSY		
			1	2	3
01					
75	2600102-79	. LINE ASSY-OXYGEN PRESSURE RELIEF REFER TO NOTE 1 ATTACHING PARTS	0001	0382	01
76	MS21919DG5	. CLAMP	0001	0382	02
77	MS35206-247	. SCREW	0001	0382	02
- 78	NAS1149DN832K	. WASHER	0001	0382	02
- 79	NAS43DD3-32FC	. SPACER	0001	0382	02
- 79A	NAS43DD3-32N	. SPACER ALT FOR NAS43DD3-32FC	0001	0382	02
- 80	MS21044N08	. NUT —*—	0001	0382	01
81	MS35489-6	. GROMMET	0140	0207	01
82		. GROMMET REFER TO 35-14-00 FIGURE 01	0140	0207	RF

NOTE 1—USED ON BRAZILIAN CERTIFIED AIRPLANES

CESSNA®
MODEL 208
 ILLUSTRATED PARTS CATALOG

A24856



OXYGEN SYSTEM - 2 PORT
 FIGURE 02 (SHEET 1)

26107002
 A2614T1150
 B2614T1147A
 C2614T1146
 D2614T1146

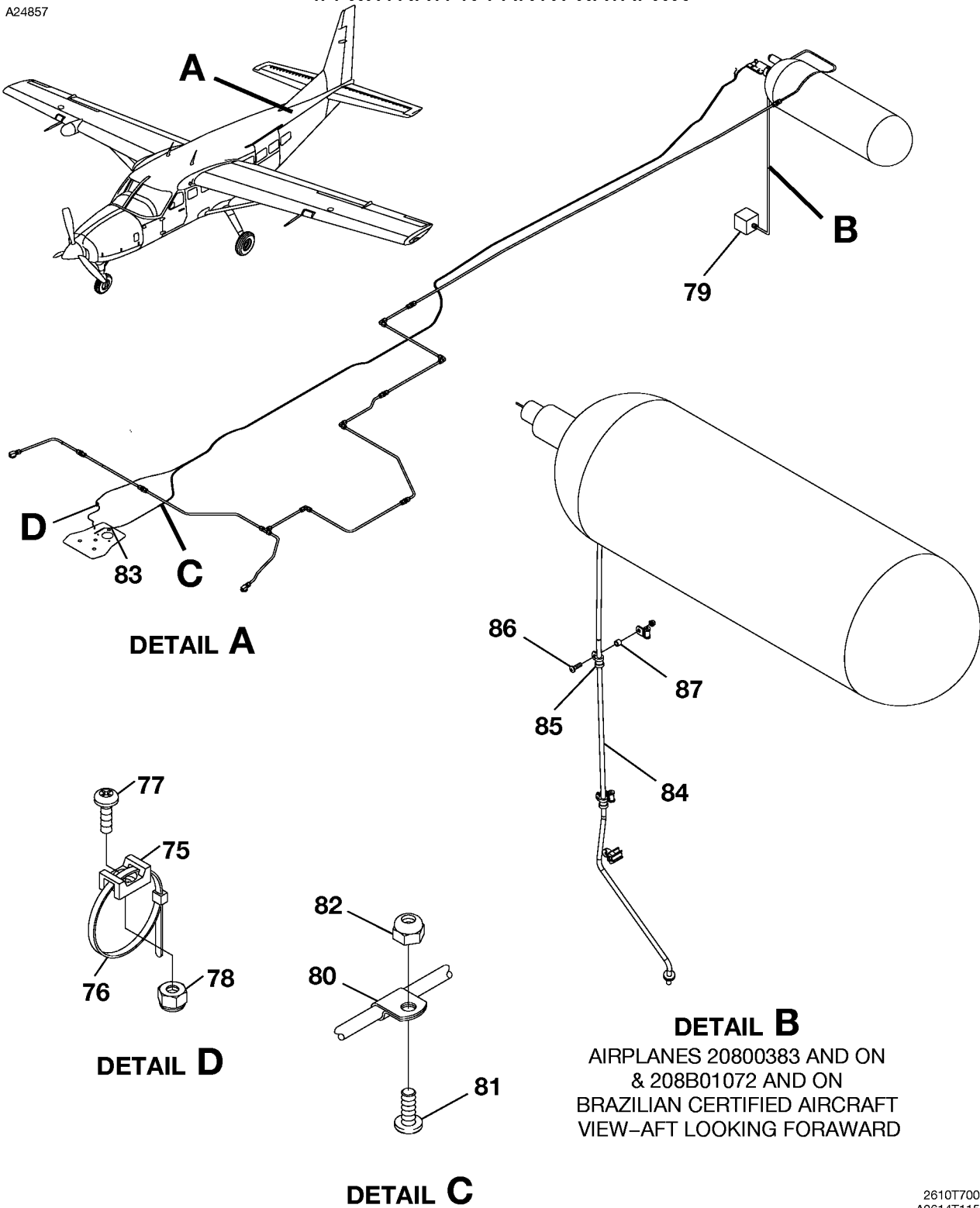
CESSNA®
MODEL 208
 ILLUSTRATED PARTS CATALOG

FIG ITEM	PART NUMBER	NOMENCLATURE	UNITS PER ASSY		
			1	2	3
02					
-		OXYGEN SYSTEM - 2 PORT	0310	0395	RF R
			0523	& ON	
1		. OXYGEN CYLINDER AND REGULATOR 50.67 CU FT REFER TO 35-01-00 FIGURE 01			RF
2	S1721-34	. LINE ASSY OXYGEN CYLINDER TO FILLER VALVE			01
3	S1724-1	. TEE			01
4	S1723-5	. LINE ASSY TEE TO REGULATOR			01
- 5	M83248/1-011	. O-RING			01
6	S1722-190	. LINE ASSY OXYGEN GAGE TO TEE			01
- 7	S1399-2	. SLEEVE 190.00 IN LG BKI			01
8	2600102-122	. LINE ASSY OXYGEN CYLINDER TO UNION			01
9	S4132-1	. ANCHOR			25 R
10	S2209-1	. TIE			25
11	S1021Z8-8	. SCREW			25
12	2600102-104	. LINE ASSY			01
13	S1399-3	. SLEEVE 24.00 IN LG BKI			01
14	AS5174D0505	. UNION			06
15	2600102-106	. LINE ASSY UNION TO ELBOW			01
16	AN821-5D	. ELBOW			04
17	2600102-108	. LINE ASSY ELBOW TO ELBOW			01
18	2600102-111	. LINE ASSY ELBOW TO UNION			01
19	2600102-113	. LINE ASSY UNION TO ELBOW			01
20	2600102-115	. LINE ASSY ELBOW TO UNION			01
21	2600102-50	. LINE ASSY UNION TO ELBOW			01
22	2600102-71	. LINE ASSY			01
23	AN824-5D	. TEE			01
24	2600102-116	. LINE ASSY			01
25	2600102-132	. LINE ASSY			01
26	2600102-66	. LINE ASSY TEE TO OUTLET ASSY			01
27	MS21919WDG5	. CLAMP ATTACHING PARTS			04
28	AN525-10R7	. SCREW			04
29	MS21044N3	. NUT _*_			04
30	2600102-97	. LINE ASSY UNION TO OUTLET ASSY			01

- ITEM NOT ILLUSTRATED

CESSNA®
MODEL 208
 ILLUSTRATED PARTS CATALOG

A24857



DETAIL A

DETAIL D

DETAIL C

DETAIL B
 AIRPLANES 20800383 AND ON
 & 208B01072 AND ON
 BRAZILIAN CERTIFIED AIRCRAFT
 VIEW-AFT LOOKING FORWARD

OXYGEN SYSTEM - 2 PORT
 FIGURE 02 (SHEET 2)

2610T7005
 A2614T1150
 B2614T1382
 C2614T1146
 D2614T1398

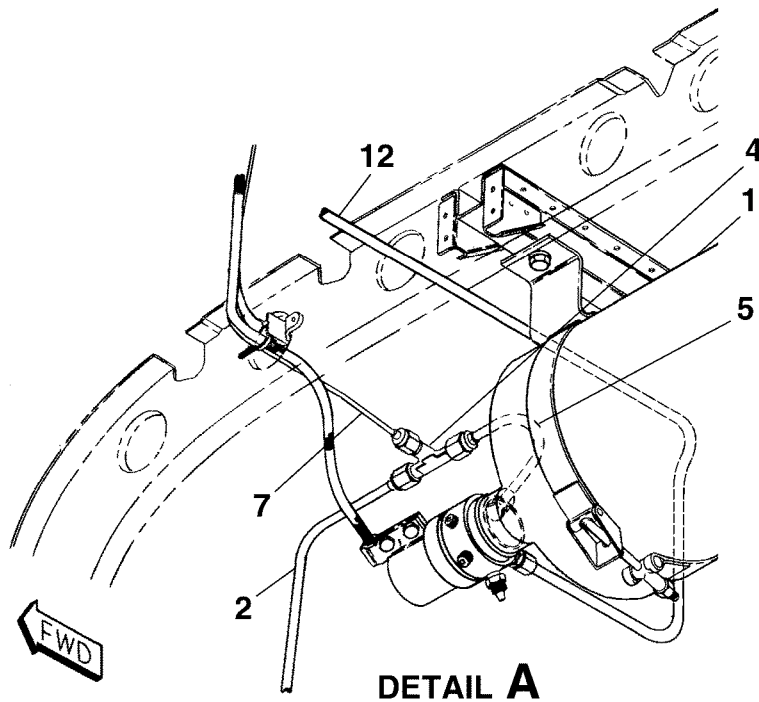
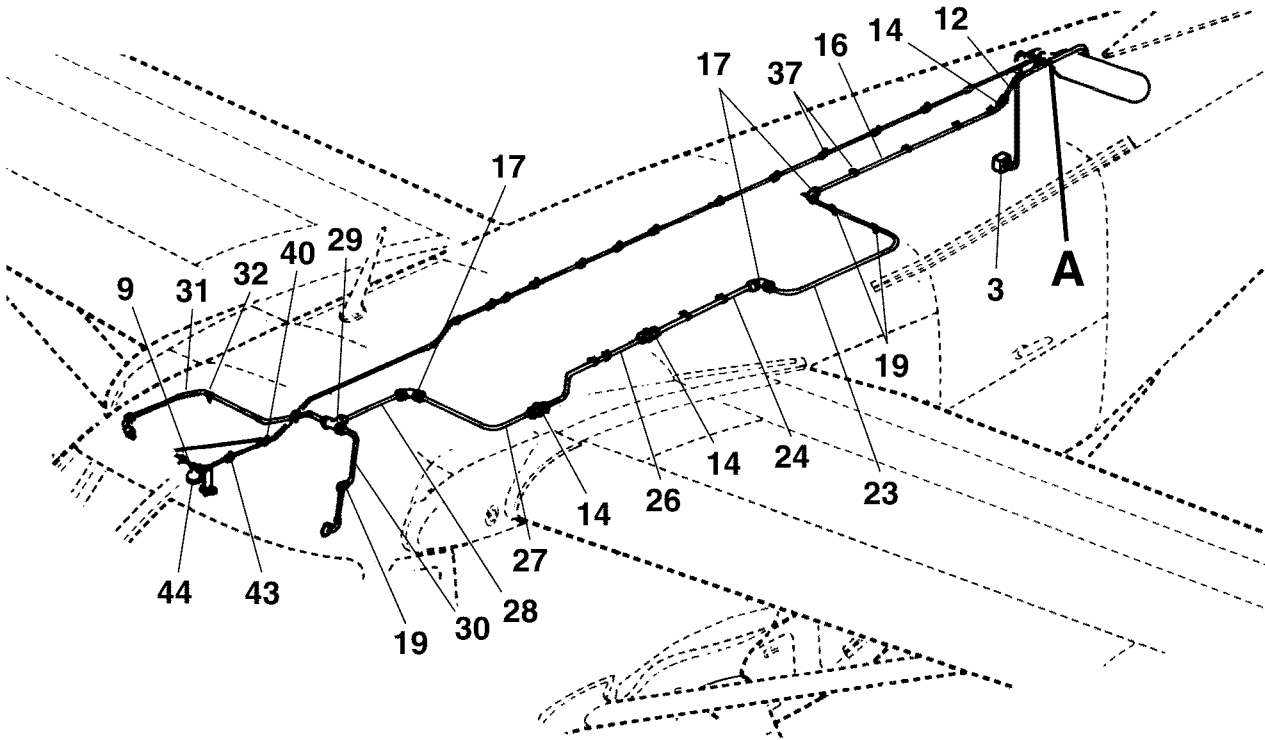
CESSNA®
MODEL 208
 ILLUSTRATED PARTS CATALOG

FIG ITEM	PART NUMBER	NOMENCLATURE							UNITS PER ASSY		
		1	2	3	4	5	6	7			
02											
75	S1741-1	.									02
76	S2209-1	.									02
77	MS35206-245	.									02
78	MS21044N08	.									02
79		.									RF
80	AN742D3	.									01
		.									
81	MS35206-263	.									01
82	MS21044N3	.									01
		.									
83		.									RF
84	2601354-4	.									01
85	MS21919WDG4	.							0383	& ON	03
86	MS35206-247	.							0383	& ON	03
87	NAS43DD3-16FC	.							0383	& ON	03

NOTE 1—USED ON BRAZILIAN CERTIFIED AIRPLANES

CESSNA®
MODEL 208
 ILLUSTRATED PARTS CATALOG

A24858



OXYGEN SYSTEM - 2 PORT
 FIGURE 03 (SHEET 1)

26141040
 A26143008B

CESSNA®
MODEL 208
ILLUSTRATED PARTS CATALOG

FIG ITEM	PART NUMBER	NOMENCLATURE	UNITS PER ASSY		
			1	2	3
03					
-		OXYGEN SYSTEM - 2 PORT REFER TO NOTE 1	B0001	B0309	RF
1		. OXYGEN CYLINDER AND REGULATOR 50.67 CU FT REFER TO 35-01-00			RF
		FIGURE 01			
2	S1721-34	. LINE ASSY OXYGEN CYLINDER TO FILLER VALVE			01
3		. OXYGEN FILLER VALVE REFER TO 35-11-00 FIGURE 01			RF
4	S1724-1	. TEE			01
5	S1723-5	. LINE TEE TO REGULATOR			01
- 6	M83248/1-011	. O-RING			01
7	S1722-238	. LINE ASSY-OXYGEN GAGE TO TEE FSO O2C11T12-238 REFER TO NOTE 2			NP R
- 7A	O2C11T12-238	. CAPILLARY TUBE-OXYGEN, OXYGEN GAGE TO TEE REFER TO NOTE 1			01 R
- 8	S1399-2	. SLEEVE 30.00 IN LG BKI FSO O2C11T12-238 REFER TO NOTE 2	B0043	B0309	01 R
9	S4132-1	. ANCHOR	B0043	B0309	01
- 10	S1021Z8-8	. SCREW	B0043	B0309	01
- 11	S2209-1	. CLAMP	B0043	B0309	01
12	2600102-56	. LINE ASSY OXYGEN CYLINDER TO UNION	B0001	B0309	01
- 13	2600102-72	. LINE ASSY OXYGEN CYLINDER TO UNION	B0045	B0309	01
14	AN515-5D	. UNION	B0001	B0254	03
- 15	AS5174D0505	. UNION	B0255	B0309	04
16	2600102-40	. LINE ASSY UNION TO ELBOW			01
17	AN821-5D	. ELBOW	B0001	B0254	03
- 18	AN821-5D	. ELBOW	B0255	B0309	02
19	MS21919DG5	. CLAMP			03
- 20	MS35206-246	. SCREW			03
- 21	NAS1149FN832P	. WASHER			03
- 22	MS21044N08	. NUT			03
23	2600102-46	. LINE ASSY	B0001	B0254	01
24	2600102-103	. LINE ASSY	B0255	B0309	01
- 25	2600102-65	. LINE ASSY			01
26	2600102-48	. LINE ASSY			01
27	2600102-50	. LINE ASSY			01
28	2600102-63	. LINE ASSY			01
29	AN824-5D	. TEE			01
30	2600102-66	. LINE ASSY			01
31	2600102-70	. LINE ASSY			01
32	MS21919DG5	. CLAMP			02
- 33	MS35206-246	. SCREW			02
- 34	NAS1149FN832P	. WASHER			02
- 35	NAS43DD3-12FC	. SPACER			02
- 35A	NAS43DD3-12N	. SPACER ALT FOR NAS43DD3-12FC			02
- 36	MS21044N08	. NUT			02
37	S4132-1	. ANCHOR			28
- 38	S1021Z8-8	. SCREW			28
- 39	S2209-1	. STA STRAP			28
40	AN742D3	. CLAMP			01
- 41	MS35206-263	. SCREW			01
- 42	MS21044N3	. NUT			01
43	S2209-1	. STA STRAP			01
44		. GAGE-OXYGEN REFER TO 35-14-00 FIGURE 01			RF

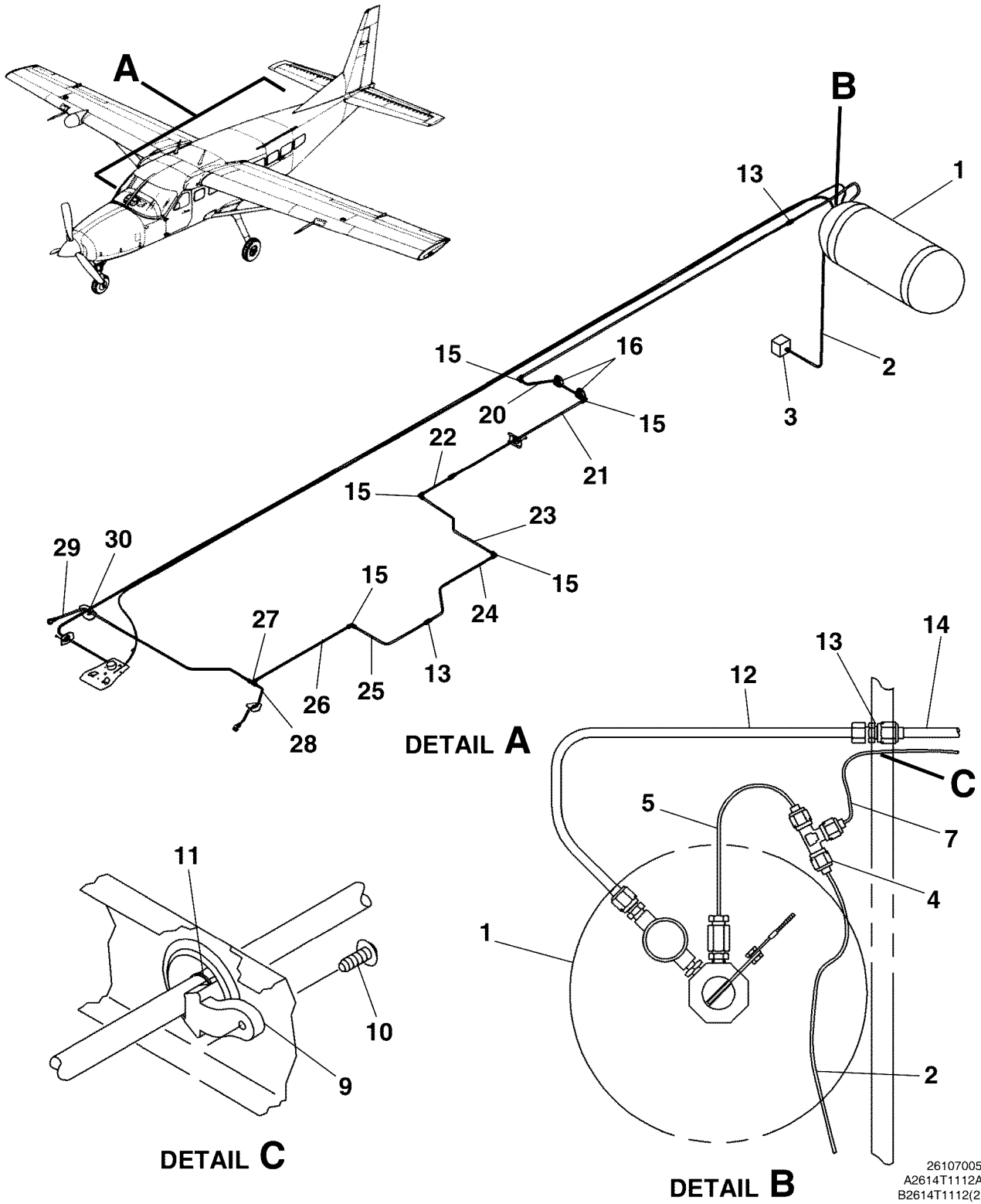
NOTE 1—NOT APPLICABLE TO PASSENGER VERSION

NOTE 2—THE O2C11T12-238 REPLACES THE COMBINATION OF S1722-238 AND S1399-2-234.00. BOTH MUST BE REPLACED AT THE SAME TIME.

R

CESSNA®
MODEL 208
 ILLUSTRATED PARTS CATALOG

A24859



26107005
 A2614T1112A
 B2614T1112(2)
 C2614T1112(2)

OXYGEN SYSTEM - 2 PORT PASSENGER VERSION
 FIGURE 04 (SHEET 1)

CESSNA®
MODEL 208
ILLUSTRATED PARTS CATALOG

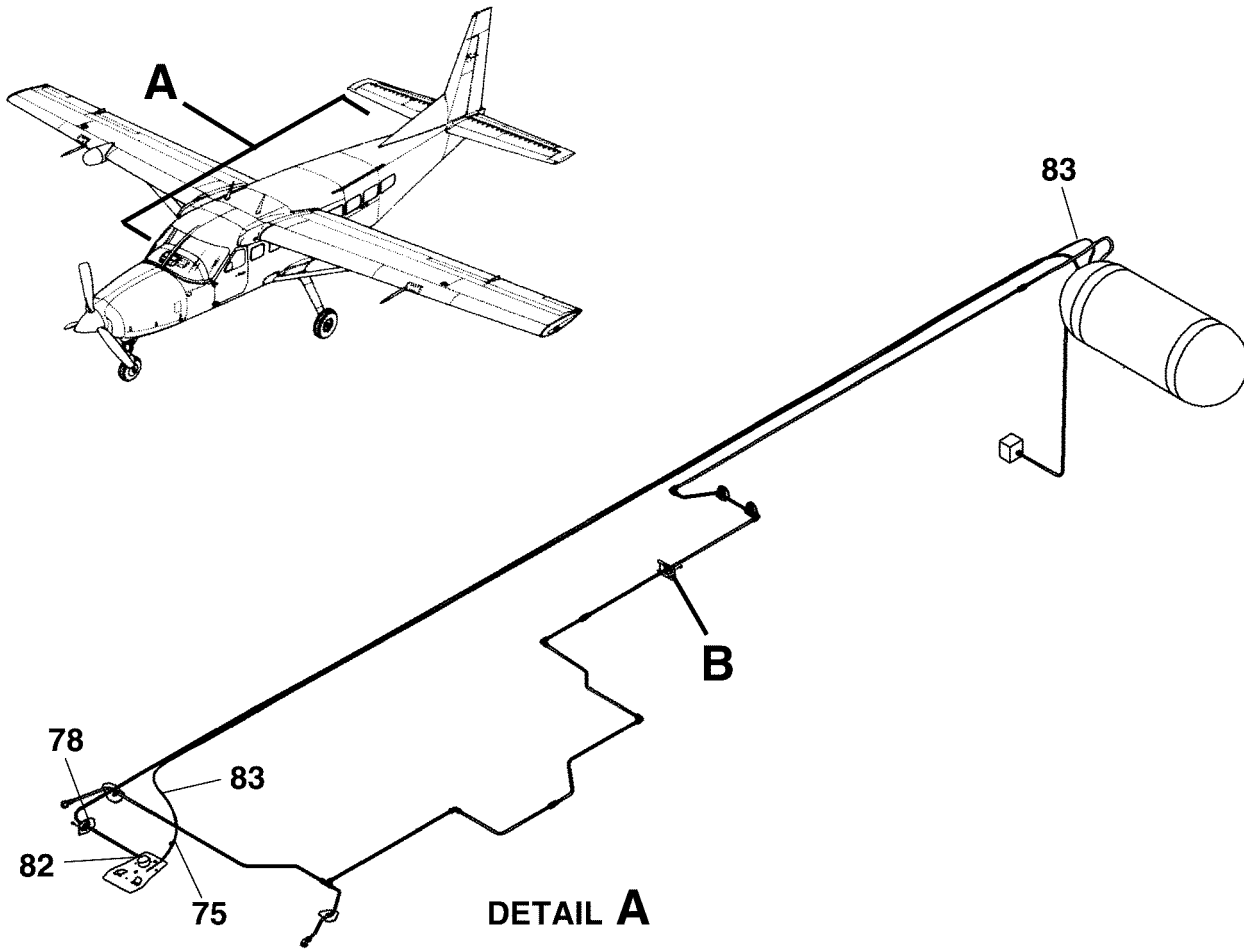
FIG ITEM	PART NUMBER	NOMENCLATURE	UNITS	
			PER	ASSY
04				
-		OXYGEN SYSTEM - 2 PORT PASSENGER VERSION	B0310	B0407
1		. OXYGEN CYLINDER AND REGULATOR 50.67 CU FT REFER TO 35-01-00		RF
		. FIGURE 01		RF
2	S1721-34	. LINE ASSY OXYGEN CYLINDER TO FILLER VALVE		01
3		. OXYGEN FILLER VALVE REFER TO 35-11-00 FIGURE 01		RF
4	S1724-1	. TEE		01
5	S1723-5	. LINE ASSY TEE TO REGULATOR		01
- 6	M83248/1-011	. O-RING		01
7	S1722-238	. LINE ASSY OXYGEN GAGE TO TEE FSO O2C11T12-238 REFER TO NOTE 1		NP R
- 7A	O2C11T12-238	. CAPILLARY TUBE-OXYGEN GAGE TO TEE REFER TO NOTE 1		01 R
- 8	S1399-2	. SLEEVE 30.00 IN LG BKI FSO O2C11T12-238 REFER TO NOTE 1		01 R
9	S4132-1	. ANCHOR		01
10	S1021Z8-8	. SCREW		01
11	S2209-1	. CLAMP		01
12	2600102-80	. LINE ASSY OXYGEN CYLINDER TO UNION		01
13	AS5174D0505	. UNION		03
14	2600102-102	. LINE ASSY UNION TO ELBOW		01
15	AN821-5D	. ELBOW		05
16	MS21919WDG5	. CLAMP		03
- 17	MS35206-246	. SCREW		03
- 18	NAS1149FN832P	. WASHER		03
- 19	MS21044N08	. NUT		03
20	2600102-82	. LINE ASSY		01
21	2600102-87	. LINE ASSY		01
22	2600102-89	. LINE ASSY		01
23	2600102-94	. LINE ASSY		01
24	2600102-48	. LINE ASSY		01
25	2600102-50	. LINE ASSY		01
26	2600102-63	. LINE ASSY		01
27	AN824-5D	. TEE		01
28	2600102-66	. LINE ASSY		01
29	2600102-70	. LINE ASSY		01
30	MS21919DG5	. CLAMP		03
- 31	MS35206-246	. SCREW		03
- 32	NAS1149FN832P	. WASHER		03
- 33	NAS43DD3-12FC	. SPACER		02
- 33A	NAS43DD3-12N	. SPACER ALT FOR NAS43DD3-12FC		02
- 34	MS21044N08	. NUT		03

NOTE 1—THE O2C11T12-238 REPLACES THE COMBINATION OF S1722-238 AND S1399-2-234.00. BOTH MUST BE REPLACED AT THE SAME TIME.

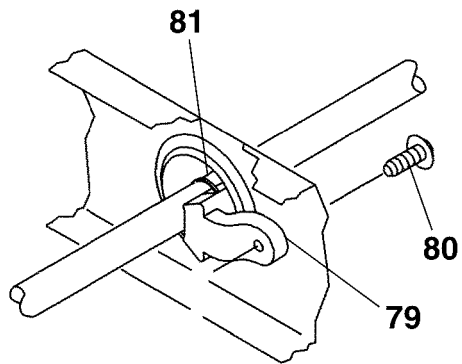
R

CESSNA®
MODEL 208
ILLUSTRATED PARTS CATALOG

A24860



DETAIL A



DETAIL B

OXYGEN SYSTEM - 2 PORT PASSENGER VERSION
FIGURE 04 (SHEET 2)

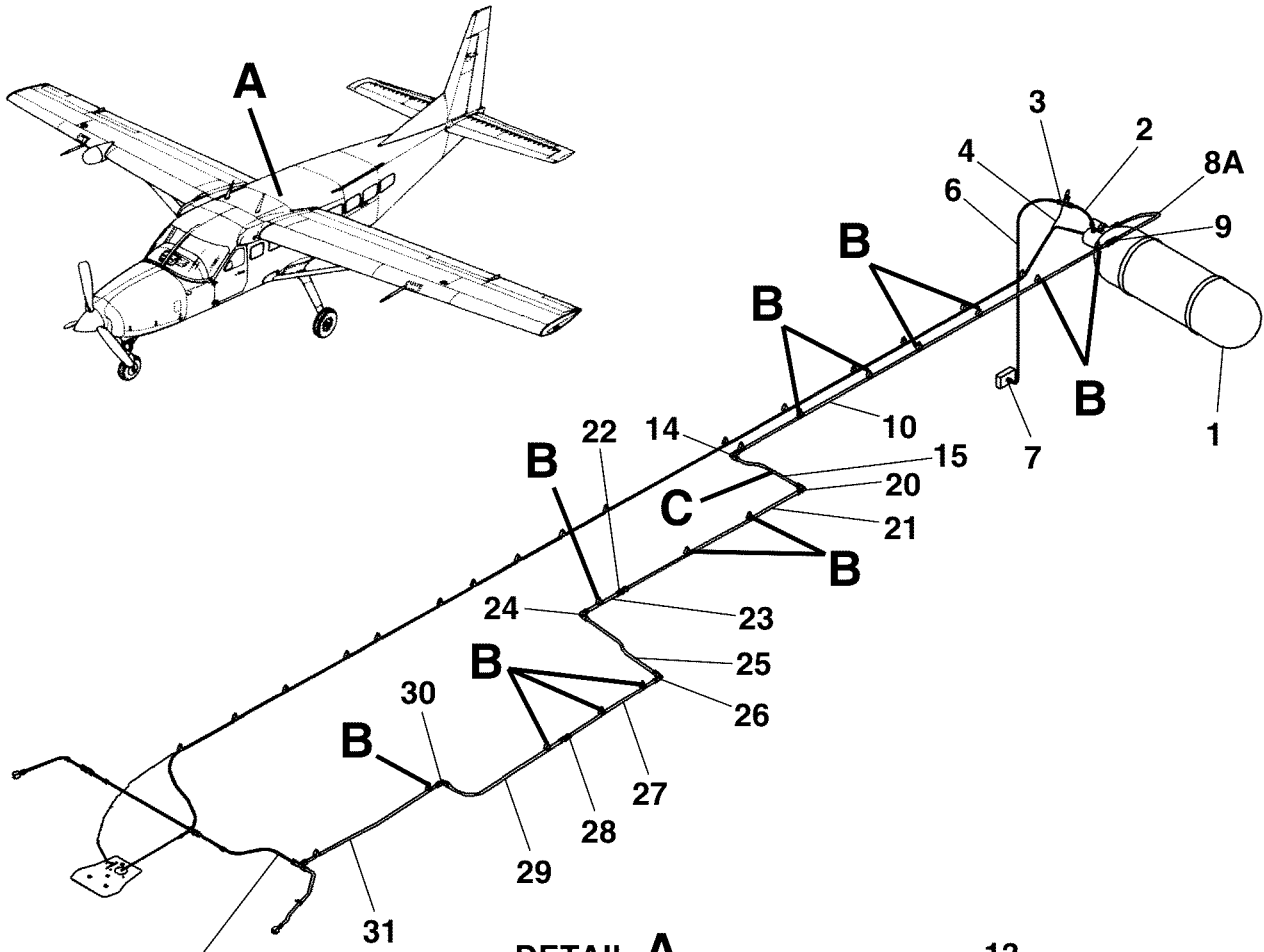
26107005
A2614T1112A
B2614T1112(2)

CESSNA®
MODEL 208
 ILLUSTRATED PARTS CATALOG

FIG ITEM	PART NUMBER	1 2 3 4 5 6 7	NOMENCLATURE	UNITS PER ASSY
04				
75	AN742D3	.	CLAMP	01
- 76	MS35206-263	.	SCREW	01
- 77	MS21044N3	.	NUT	01
78	S2209-1	.	STA STRAP	01
79	S4132-1	.	ANCHOR	33
80	S1021Z8-8	.	SCREW	33
81	S2209-1	.	STA STRAP	33
82		.	GAGE ASSY-OXYGEN REFER TO 35-14-00 FIGURE 01	RF
83		.	WIRE-OXYGEN CONTROL 240.00 IN LG BKI REFER TO 35-14-00 FIGURE 01	RF

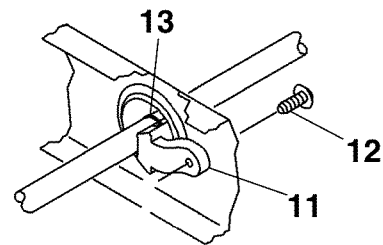
CESSNA®
MODEL 208
 ILLUSTRATED PARTS CATALOG

A24861

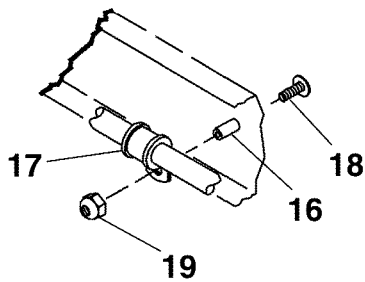


REFER TO
 SHEET 2

DETAIL A



DETAIL B
 (TYPICAL)



DETAIL C

26107005
 A2614T1226
 B2614T1146
 C2614T1112

OXYGEN SYSTEM - 2 PORT PASSENGER VERSION
 FIGURE 05 (SHEET 1)

CESSNA®
MODEL 208
ILLUSTRATED PARTS CATALOG

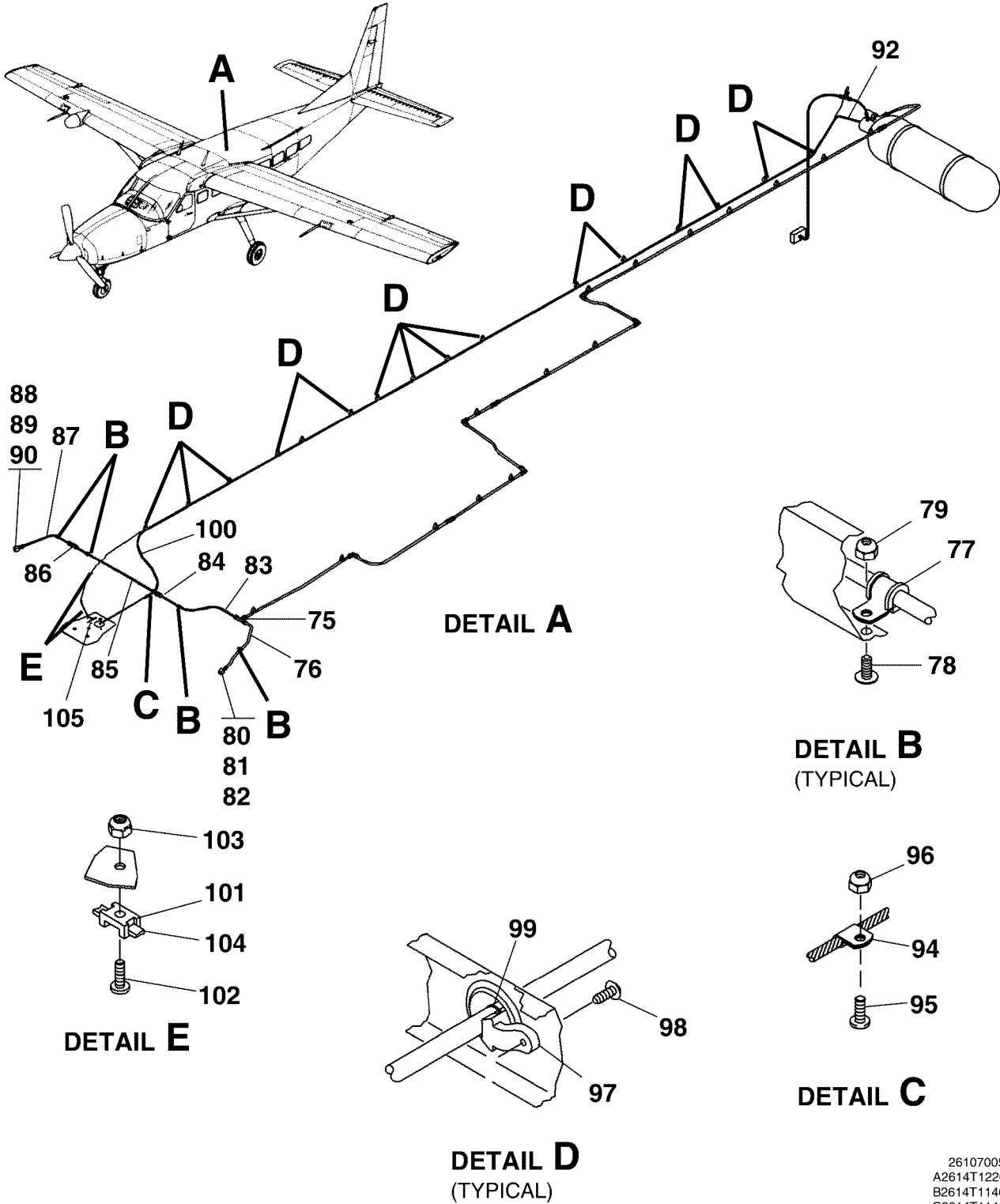
FIG ITEM	PART NUMBER	NOMENCLATURE	UNITS PER ASSY		
			1	2	3
05		OXYGEN SYSTEM - 2 PORT PASSENGER VERSION	B0408	& ON	RF
-		. OXYGEN CYLINDER AND REGULATOR 50.67 CU FT REFER TO 35-01-00			RF
1		. FIGURE 01			
2	S1723-5	. LINE ASSY-TEE TO REGULATOR			01
3	S1724-1	. TEE			01
4	S1722-238	. LINE ASSY-CAPILLARY TO GAGE FSO O2C11T12-238 REFER TO NOTE 1	B0408	B5255	NP R
- 4A	O2C11T12-238	. CAPILLARY TUBE-OXYGEN CAPILLARY TO GAGE REFER TO NOTE 1	B5256	& ON	01 R
- 5	S1399-2-234.00	. SLEEVE-SPIRAL WRAP FSO O2C11T12-238 REFER TO NOTE 1			01 R
6	S1721-34	. LINE ASSY OXYGEN CYLINDER TO FILLER VALVE			01
7		. VALVE ASSY-OXYGEN FILLER REFER TO 35-11-00 FIGURE 02			RF
- 8	2600102-80	. LINE ASSY OXYGEN CYLINDER TO UNION	B0408	B0418	01
8A	2600102-146	. LINE ASSY OXYGEN CYLINDER TO UNION	B0419	& ON	01
9	2600102-80	. LINE ASSY			01
- 9A	AS5174D0505	. UNION			01
10	2600102-102	. LINE ASSY			01
11	S4132-1	. ANCHOR			AR
		. ATTACHING PARTS			
12	S1021Z8-8	. SCREW			01
		. *			
13	S2209-1	. TIE			AR
14	AN821-5D	. ELBOW			01
15	2600102-82	. LINE ASSY			01
16	NAS43DD3-20FC	. SPACER			01
- 16A	NAS43DD3-20N	. SPACER ALT FOR NAS43DD3-20FC			01
17	MS21919DG6	. CLAMP			01
		. ATTACHING PARTS			
18	AN525-10R12	. SCREW			01
19	MS21044N3	. NUT			01
		. *			
20	AN821-5D	. ELBOW			01
21	2600102-87	. LINE ASSY			01
22	AS5174D0505	. UNION			01
23	2600102-89	. LINE ASSY			01
24	AN821-5D	. ELBOW			01
25	2600102-94	. LINE ASSY			01
26	AN821-5D	. ELBOW			01
27	2600102-48	. LINE ASSY			01
28	AS5174D0505	. UNION			01
29	2600102-50	. LINE ASSY			01
30	AN821-5D	. ELBOW			01
31	2600102-63	. LINE ASSY			01

NOTE 1—THE O2C11T12-238 REPLACES THE COMBINATION OF S1722-238 AND S1399-2-234.00. BOTH MUST BE REPLACED AT THE SAME TIME.

R

CESSNA®
MODEL 208
 ILLUSTRATED PARTS CATALOG

A24862



OXYGEN SYSTEM - 2 PORT PASSENGER VERSION
 FIGURE 05 (SHEET 2)

26107005
 A2614T1226
 B2614T1146
 C2614T1146
 D2614T1112
 E2614T1229

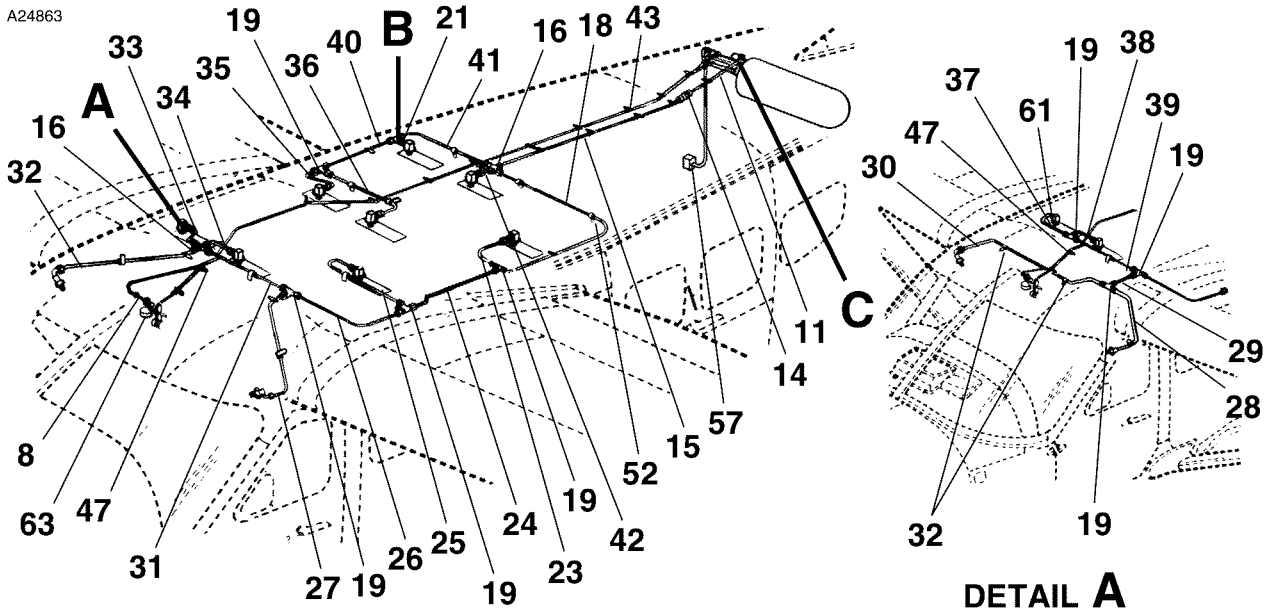
CESSNA®
MODEL 208
 ILLUSTRATED PARTS CATALOG

FIG ITEM	PART NUMBER	NOMENCLATURE	UNITS
			PER ASSY
		1 2 3 4 5 6 7	
05			
75	AN824-5D	. TEE	01
76	2600102-66	. LINE ASSY	01
77	MS21919WDG	. CLAMP ATTACHING PARTS	05
78	AN525-10R7	. SCREW	01
79	MS21044N3	. NUT —*—	01
80		. OUTLET ASSY-OXYGEN REFER TO 35-13-00 FIGURE 01	RF
81	MS27769D2	. PLUG	01
82		. MASK AND LINE ASSY WITH REGULATOR AND MIC REFER TO 35-15-00 FIGURE 01	RF
83	2600102-95	. LINE ASSY	01
84	AS5174D0505	. UNION	01
85	2600102-96	. LINE ASSY	01
86	AS5174D0505	. UNION	01
87	2600102-97	. LINE ASSY	01
88		. OUTLET ASSY-OXYGEN REFER TO 35-13-00 FIGURE 01	RF
89	MS27769D2	. PLUG	01
90		. MASK AND LINE ASSY WITH REGULATOR AND MIC REFER TO 35-15-00 FIGURE 01	RF
- 91		. CLIP REFER TO 35-15-00 FIGURE 01	RF
92		. WIRE-OXYGEN CONTROL 240.00 IN LG BLK REFER TO 35-14-00 FIGURE 01	RF
- 93		. CASING-OXYGEN CONTROL 234.00 IN LG BLK REFER TO 35-14-00 FIGURE 01	RF
94	AN742D3	. CLAMP ATTACHING PARTS	01
95	MS35206-263	. SCREW	01
96	MS21044N3	. NUT —*—	01
97	S4132-1	. ANCHOR ATTACHING PARTS	AR
98	S1021Z8-8	. SCREW —*—	01
99	S2209-1	. TIE	AR
100	S2606-1	. MOUNT	01
101	S1741-1	. ANCHOR-STA STRAP ATTACHING PARTS	02
102	MS35206-245	. SCREW	01
103	MS1044N08	. NUT —*—	01
104	S2209-1	. TIE	02
105		. GAGE ASSY-OXYGEN PRESSURE REFER TO 35-14-00 FIGURE 01	RF

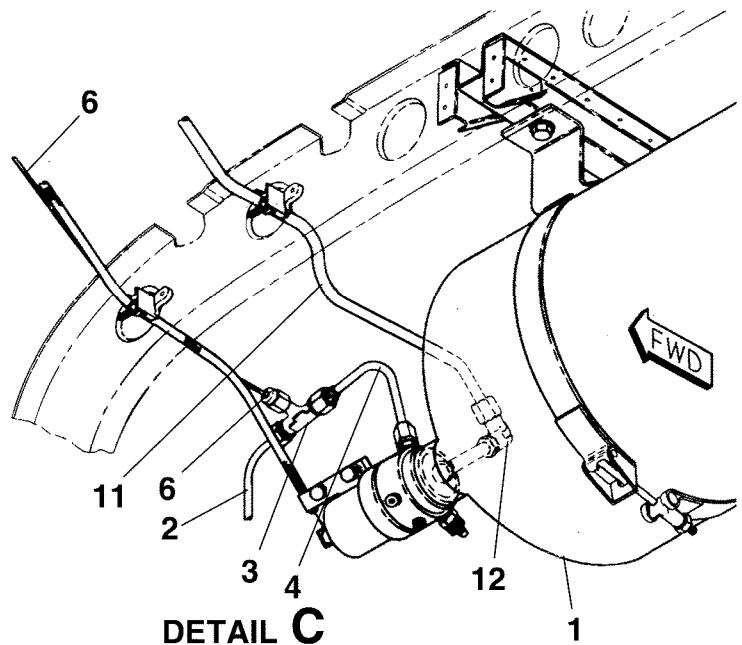
- ITEM NOT ILLUSTRATED

CESSNA®
MODEL 208
 ILLUSTRATED PARTS CATALOG

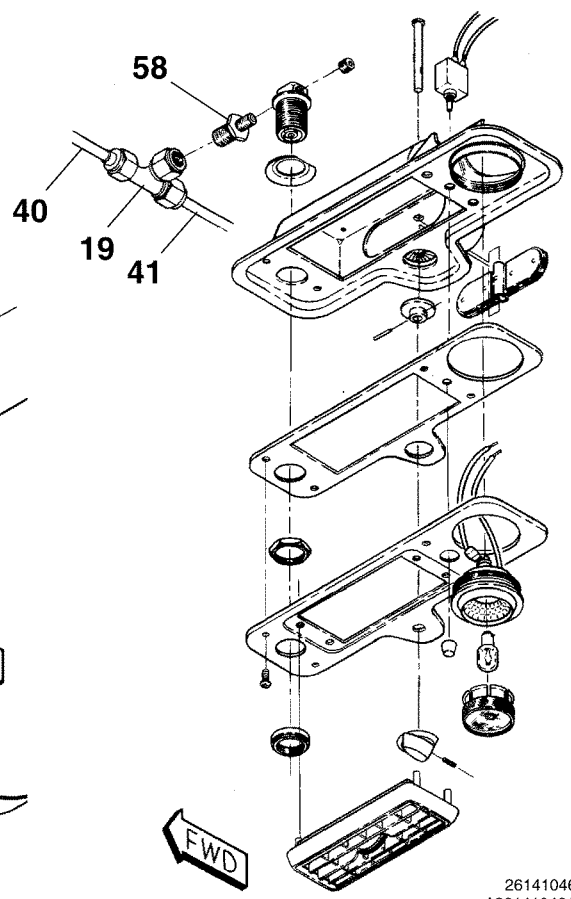
A24863



DETAIL A
 AIRPLANES 20800093 AND ON



DETAIL C



DETAIL B

OXYGEN SYSTEM - 10 PORT
 FIGURE 01 (SHEET 1)

26141046
 A26141046A
 B26143010
 C26143009

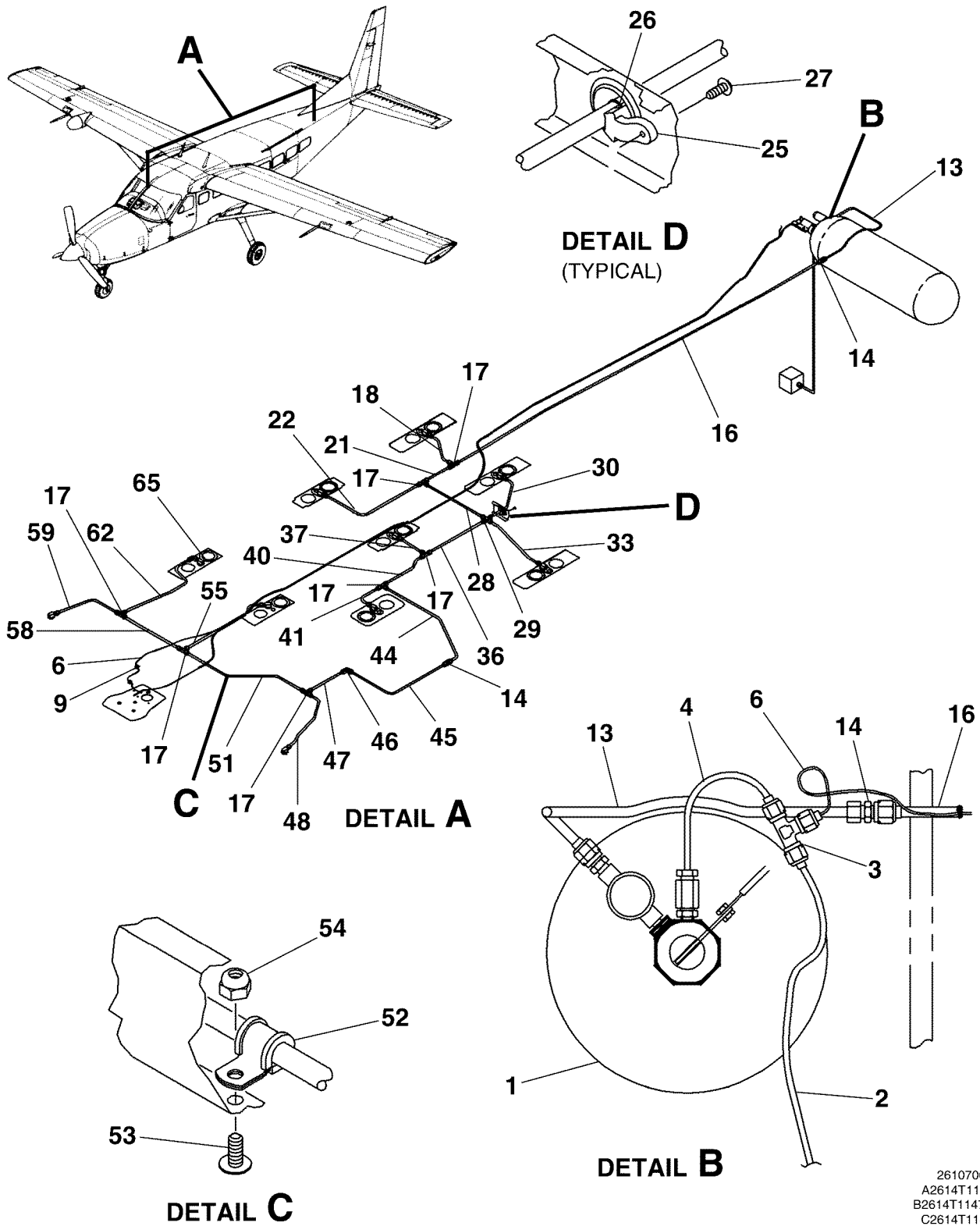
CESSNA®
MODEL 208
ILLUSTRATED PARTS CATALOG

FIG ITEM	PART NUMBER	NOMENCLATURE	UNITS		
			1	2	PER ASSY
01		OXYGEN SYSTEM - 10 PORT	0001	0207	RF
-		. OXYGEN CYLINDER AND REGULATOR 116.95 CU FT REFER TO 35-01-00			RF
1		. FIGURE 02			
2	S1721-34	. LINE ASSY OXYGEN CYLINDER TO FILLER VALVE			01
3	S1724-1	. TEE			01
4	S1723-5	. LINE ASSY TEE TO REGULATOR			01
- 5	M83248/1-011	. O-RING			01
6	S1722-190	. LINE ASSY OXYGEN GAGE TO TEE			01
- 7	S1399-2	. SLEEVE 30.00 IN LG BKI	0126	0207	01
8	S4132-1	. ANCHOR	0126	0207	01
- 9	S1021Z8-8	. SCREW	0126	0207	01
- 10	S2209-1	. STA STRAP	0126	0207	01
11	2600102-39	. LINE ASSY OXYGEN CYLINDER TO ELBOW			01
12	AS5195W0502	. ELBOW			01
- 13	S2093-3	. COVER USED WITH OXYGEN SYSTEMS PROVISION			01
14	AN815-5D	. UNION			01
15	2600102-40	. LINE ASSY STA 284.00 TO STA 234.00			01
16	AS1036D05050505	. CROSS	0001	0092	02 R
- 17	AS1036D05050505	. CROSS	0093	0207	01 R
18	2600102-46	. LINE ASSY			01
19	AN824-5D	. TEE	0001	0092	05
- 20	AN824-5D	. TEE	0093	0207	07
21	MS20825-5D	. TEE			01
- 22	S2093-3	. COVER USED WITH OXYGEN SYSTEM PROVISIONS			01
23	2600102-47	. LINE ASSY			01
24	2600102-48	. LINE ASSY			01
25	2600102-49	. LINE ASSY			01
26	2600102-50	. LINE ASSY			01
27	2600102-51	. LINE ASSY	0001	0062	01
28	2600102-66	. LINE ASSY	0063	0207	01
29	2600102-71	. LINE ASSY	0063	0207	01
30	2600102-70	. LINE ASSY	0063	0207	01
31	2600102-52	. LINE ASSY	0001	0062	01
32	2600102-55	. LINE ASSY	0001	0062	01
33	2600102-54	. LINE ASSY	0001	0062	01
34	2600102-53	. LINE ASSY	0001	0062	01
35	2600102-43	. LINE ASSY			01
36	2600102-44	. LINE ASSY			01
37	2600102-69	. LINE ASSY	0063	0207	01
38	2600102-68	. LINE ASSY	0063	0207	01
39	2600102-67	. LINE ASSY	0063	0207	01
40	2600102-42	. LINE ASSY			01
41	2600102-41	. LINE ASSY			01
42	2600102-45	. LINE ASSY			01
43	S4132-2	. ANCHOR	0001	0125	29
- 44	S4132-1	. ANCHOR	0126	0207	29
- 45	S1021Z8-8	. SCREW	0126	0207	29
- 46	S2209-1	. STA-STRAP			29
47	S4132-2	. ANCHOR	0001	0060	01
- 48	S2209-1	. STA STRAP	0001	0060	01
- 49	AN742D3	. CLAMP	0061	0207	01
- 50	MS35206-263	. SCREW	0061	0207	01
- 51	MS21044N3	. NUT	0061	0207	01
52	MS21919DG5	. CLAMP			09
- 53	MS35206-246	. SCREW			09
- 54	NAS1149FN832P	. WASHER			09
- 55	MS21044N08	. NUT			09
- 56	NAS43DD3-12FC	. SPACER	0093	0207	02
- 56A	NAS43DD3-12N	. SPACER ALT FOR NAS43DD3-12FC	0093	0207	02
57		. OXYGEN FILLER VALVE REFER TO 35-11-00 FIGURE 01			RF
58	AS5194D0502	. ADAPTER	0001	0092	08
- 59	AS5194D0502	. ADAPTER	0093	0207	07
- 60	AS5194D0502	. ADAPTER			10
61	AS5195W0502	. ELBOW	0093	0207	01
- 62	S2093-3	. CLIP USED WITH OXYGEN SYSTEM PROVISIONS			01
63		. GAGE-OXYGEN REFER TO 35-14-00 FIGURE 01			RF

- ITEM NOT ILLUSTRATED

CESSNA®
MODEL 208
 ILLUSTRATED PARTS CATALOG

A24864



OXYGEN SYSTEM - 10 PORT
 FIGURE 02 (SHEET 1)

26107002
 A2614T1149
 B2614T1147A
 C2614T1146
 D2614T1146

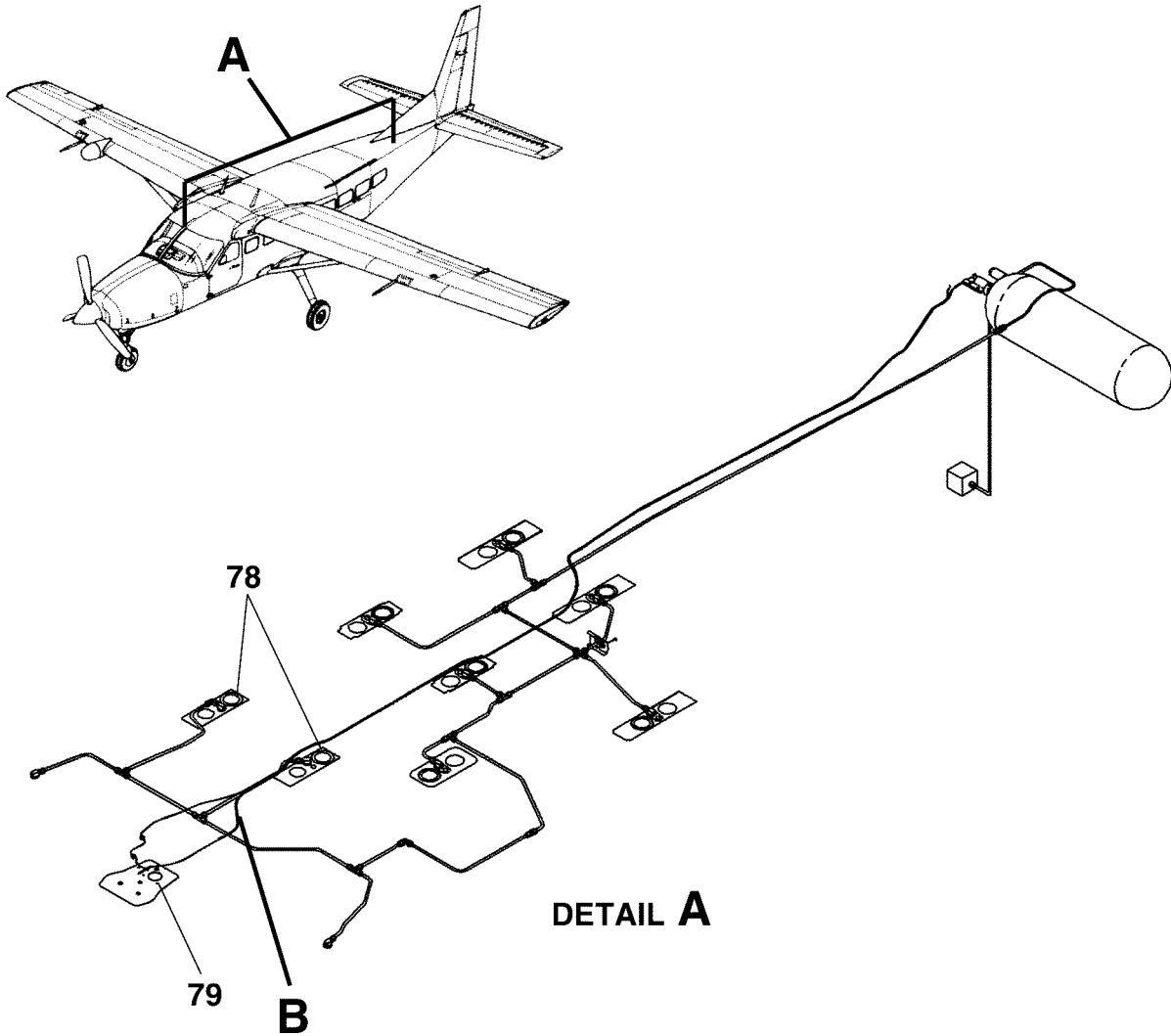
CESSNA®
MODEL 208
ILLUSTRATED PARTS CATALOG

FIG ITEM	PART NUMBER	NOMENCLATURE	UNITS	
			PER	ASSY
02				
-		OXYGEN SYSTEM - 10 PORT	0208	& ON RF
1		. OXYGEN CYLINDER AND REGULATOR 116.95 CU FT REFER TO 35-01-00		RF
		FIGURE 02.		
2	S1721-34	. LINE ASSY OXYGEN CYLINDER TO FILLER VALVE		01
3	S1724-1	. TEE		01
4	S1723-5	. LINE ASSY TEE TO REGULATOR		01
- 5	M83248/1-011	. O-RING		01
6	S1722-190	. LINE ASSY OXYGEN GAGE TO TEE		01
- 7	S1399-2	. SLEEVE 190.00 IN LG BKI		01
- 8	S1399-3	. SLEEVE 24.00 IN LG BKI		01
9	S1741-1	. STA STRAP		02
- 10	S2209-1	. TIE		02
- 11	MS35206-245	. SCREW		02
- 12	MS21044N08	. NUT		02
13	2600102-80	. LINE ASSY OXYGEN CYLINDER TO UNION		01
14	AS5174D0202	. UNION		02
- 15	S2093-3	. COVER USED WITH OXYGEN SYSTEM PROVISIONS		01
16	2600102-104	. LINE ASSY-OXYGEN		01
17	AN824-5D	. TEE		07
18	2600102-105	. LINE ASSY		01
- 19	AS5194D0502	. ADAPTER USED WITH OXYGEN SYSTEM PROVISIONS		01
- 20	S2093-3	. COVER USED WITH OXYGEN SYSTEM PROVISIONS		01
21	2600102-106	. LINE ASSY		01
22	2600102-107	. LINE ASSY		01
- 23	AS5194D0502	. ADAPTER USED WITH OXYGEN SYSTEM PROVISIONS		01
- 24	S2093-3	. COVER USED WITH OXYGEN SYSTEM PROVISIONS		01
25	S4132-1	. ANCHOR		35
26	S2209-1	. TIE		35
27	S1021Z8-8	. SCREW		35
28	2600102-108	. LINE ASSY		01
29	AS1036D05050505	. CROSS		01 R
30	2600102-109	. LINE ASSY		01
- 31	AS5194D0502	. ADAPTER USED WITH OXYGEN SYSTEM PROVISIONS		01
- 32	S2093-3	. COVER USED WITH OXYGEN SYSTEM PROVISIONS		01
33	2600102-110	. LINE ASSY		01
- 34	AS5194D0502	. ADAPTER USED WITH OXYGEN SYSTEM PROVISIONS		01
- 35	S2093-3	. COVER USED WITH OXYGEN SYSTEM PROVISIONS		01
36	2600102-111	. LINE ASSY		01
37	2600102-112	. LINE ASSY		01
- 38	AS5194D0502	. ADAPTER USED WITH OXYGEN SYSTEM PROVISIONS		01
- 39	S2093-3	. COVER USED WITH OXYGEN SYSTEM PROVISIONS		01
40	2600102-113	. LINE ASSY		01
41	2600102-114	. LINE ASSY FSO 2600102-147	0208	0590 NP
- 41A	2600102-147	. LINE ASSY	0591	& ON 01
- 42	AS5194D0502	. ADAPTER USED WITH OXYGEN SYSTEM PROVISIONS		01
- 43	S2093-3	. COVER USED WITH OXYGEN SYSTEM PROVISIONS		01
44	2600102-115	. LINE ASSY TEE TO UNION		01
45	2600102-50	. LINE ASSY UNION TO ELBOW		01
46	AN821-5D	. ELBOW		01
47	2600102-71	. LINE ASSY ELBOW TO TEE		01
48	2600102-66	. LINE ASSY		01
- 49	AS5194D0502	. ADAPTER USED WITH OXYGEN SYSTEM PROVISIONS		01
- 50	S2093-3	. COVER USED WITH OXYGEN SYSTEM PROVISIONS		01
51	2600102-116	. LINE ASSY		01
52	MS21919WDG5	. CLAMP		04
53	AN525-10R7	. SCREW		04
54	MS21044N3	. NUT		04
55	2600102-117	. LINE ASSY		01
- 56	AS5194D0502	. ADAPTER USED WITH OXYGEN SYSTEM PROVISIONS		01
- 57	S2093-3	. COVER USED WITH OXYGEN SYSTEM PROVISIONS		01
58	2600102-132	. LINE ASSY		01
59	2600102-97	. LINE ASSY		01
- 60	AS5194D0502	. ADAPTER USED WITH OXYGEN SYSTEM PROVISIONS		01
- 61	S2093-3	. COVER USED WITH OXYGEN SYSTEM PROVISIONS		01
62	2600102-118	. LINE ASSY		01
- 63	AS5194D0502	. ADAPTER USED WITH OXYGEN SYSTEM PROVISIONS		01
- 64	S2093-3	. COVER USED WITH OXYGEN SYSTEM PROVISIONS		01
65	AS5195W0502	. ELBOW		01

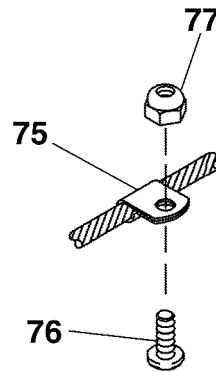
- ITEM NOT ILLUSTRATED

CESSNA®
MODEL 208
ILLUSTRATED PARTS CATALOG

A24865



DETAIL A



DETAIL B

OXYGEN SYSTEM - 10 PORT
FIGURE 02 (SHEET 2)

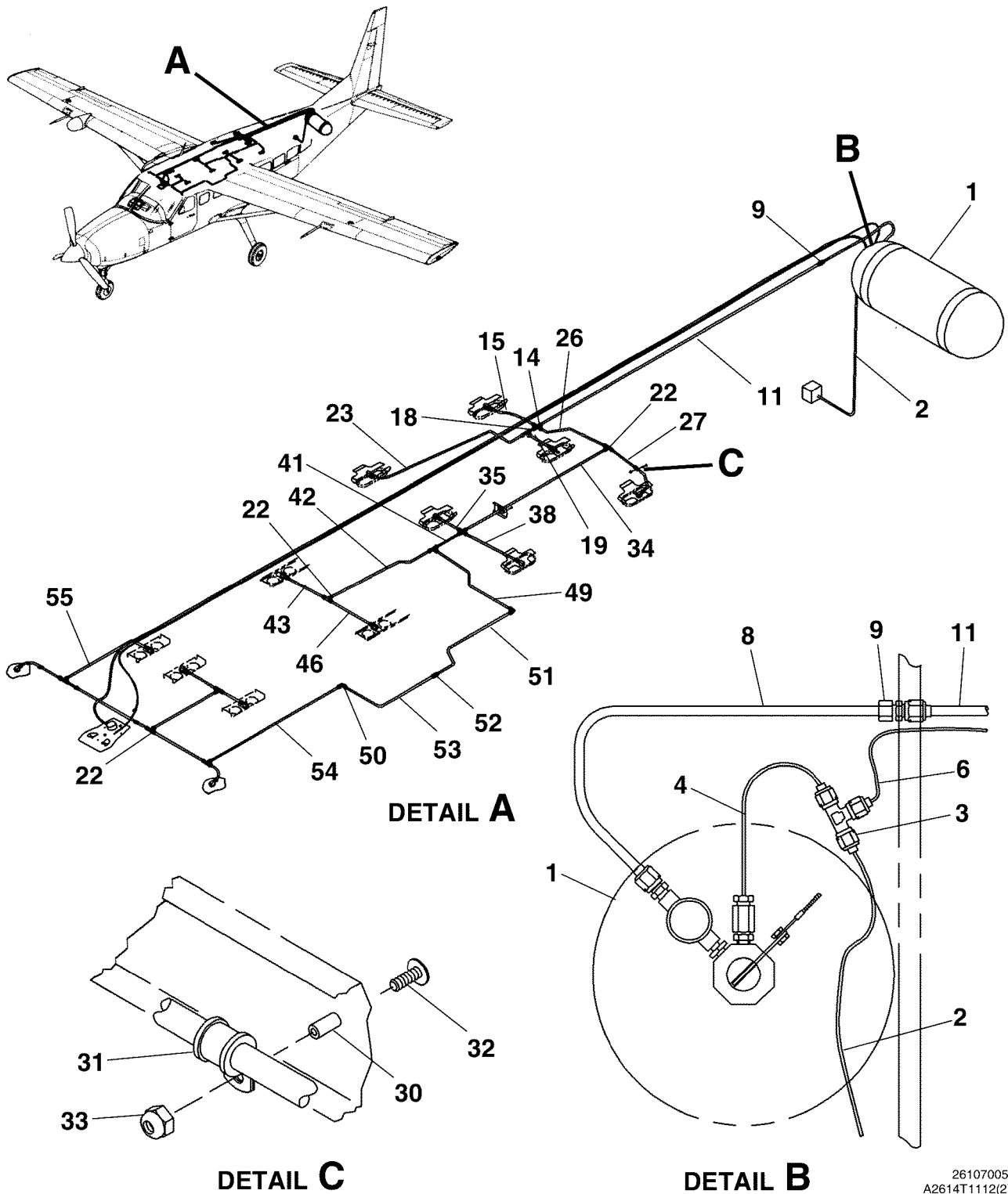
26107002
A2614T1149
B2614T1146

CESSNA®
MODEL 208
 ILLUSTRATED PARTS CATALOG

FIG ITEM	PART NUMBER	1 2 3 4 5 6 7	NOMENCLATURE	UNITS PER ASSY
02				
75	AN742D3	.	CLAMP	01
76	MS35206-263	.	SCREW	01
77	MS21044N3	.	NUT	01
78		.	ESCUTCHEON-OVERHEAD VENT/LIGHT/OXYGEN REFER TO 21-21-01 FIGURE 04.	RF
79		.	GAGE-OXYGEN REFER TO 35-14-00 FIGURE 01	RF

CESSNA®
MODEL 208
 ILLUSTRATED PARTS CATALOG

A24867



26107005
 A2614T1112(2)
 B2614T1112(2)
 C2614T1112(2)

OXYGEN SYSTEM - 13 PORT PASSENGER VERSION
 FIGURE 03 (SHEET 1)

CESSNA®
MODEL 208
ILLUSTRATED PARTS CATALOG

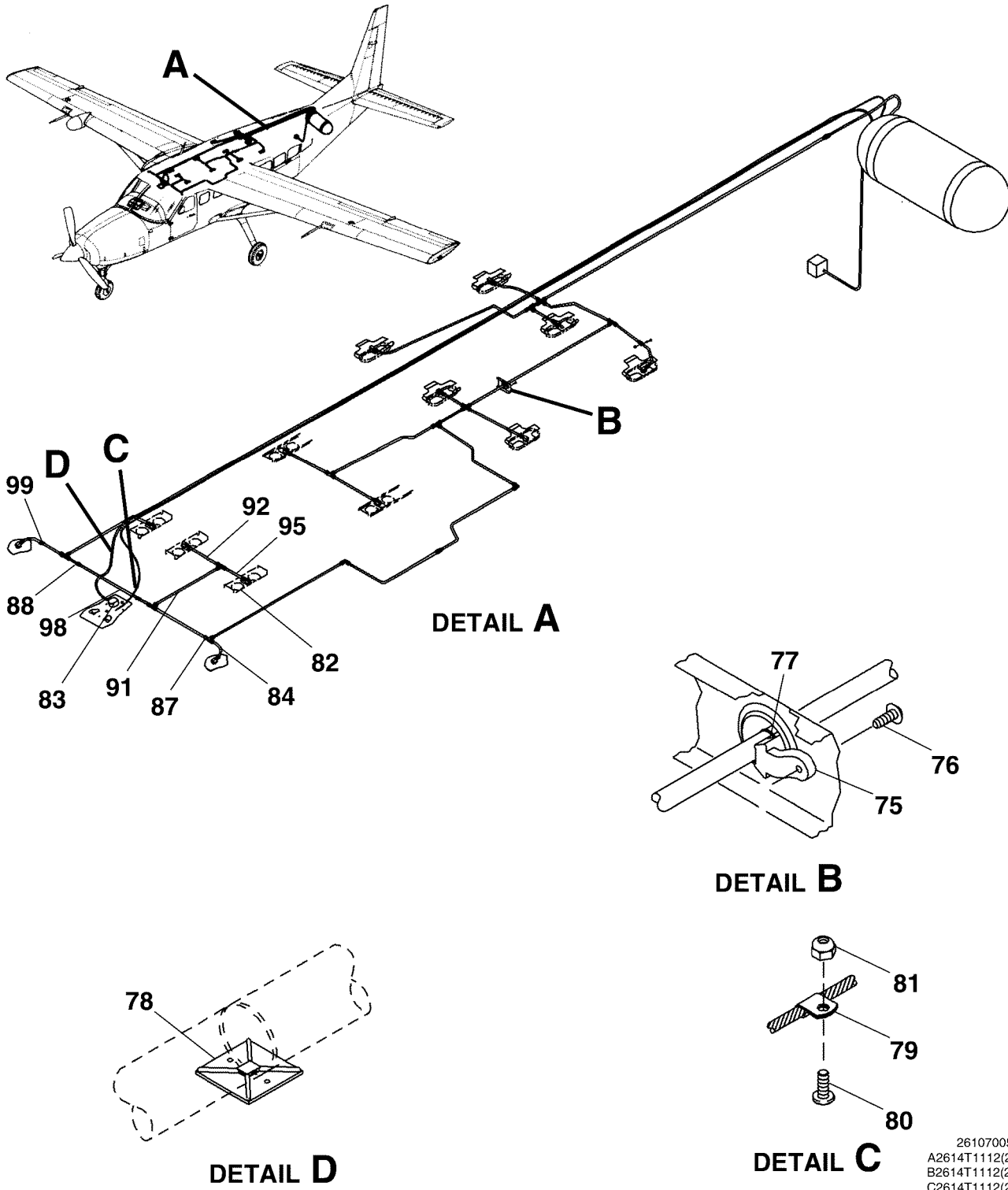
FIG ITEM	PART NUMBER	NOMENCLATURE	UNITS	
			PER	ASSY
03				
-		OXYGEN SYSTEM - 13 PORT PASSENGER VERSION	B0214	B0465 RF
1		. OXYGEN CYLINDER AND REGULATOR 116.95 CU FT REFER TO 35-01-00		RF
		FIGURE 02.		
2	S1721-34	. LINE ASSY OXYGEN CYLINDER TO FILLER VALV		01
3	S1724-1	. TEE		01
4	S1723-5	. LINE TEE TO REGULATOR		01
- 5	M83248/1-011	. O-RING		01
6	S1722-238	. LINE ASSY OXYGEN GAGE TO TEE FSO O2C11T12-238 REFER TO NOTE		NP
		2		
- 6A	O2C11T12-238	. CAPILLARY TUBE-OXYGEN, OXYGEN GAGE TO TEE REFER TO NOTE 2 .		01
- 7	S1399-2	. SLEEVE 30.00 IN LG BKI FSO O2C11T12-238 REFER TO NOTE 2		01
8	2600102-80	. LINE ASSY OXYGEN CYLINDER TO UNION		01
9	AS5174D0505	. UNION		01
- 10	S2093-3	. COVER USED WITH OXYGEN SYSTEM PROVISIONS		01
11	2600102-102	. LINE ASSY STA 282.00 TO STA 356.00		01
- 12	AS5194D0502	. UNION USED WITH OXYGEN SYSTEM PROVISIONS		01
- 13	S2093-3	. COVER USED WITH OXYGEN SYSTEM PROVISIONS		01
14	AS1036D05050505	. CROSS		02 R
15	2600102-81	. LINE ASSY		01
- 16	AS5194D0502	. UNION USED WITH OXYGEN SYSTEM PROVISIONS		01
- 17	S2093-3	. COVER USED WITH OXYGEN SYSTEM PROVISIONS		01
18	2600102-84	. LINE ASSY		01
19	2600102-85	. LINE ASSY		01
- 20	AS5194D0502	. UNION USED WITH OXYGEN SYSTEM PROVISIONS		01
- 21	S2093-3	. COVER USED WITH OXYGEN SYSTEM PROVISIONS		01
22	AN824-5D	. TEE		08
23	2600102-86	. LINE ASSY		01
- 24	AS5194D0502	. UNION USED WITH OXYGEN SYSTEM PROVISIONS		01
- 25	S2093-3	. COVER USED WITH OXYGEN SYSTEM PROVISIONS		01
26	2600102-82	. LINE ASSY		01
27	2600102-83	. LINE ASSY		01
- 28	AS5194D0502	. UNION USED WITH OXYGEN SYSTEM PROVISIONS		01
- 29	S2093-3	. COVER USED WITH OXYGEN SYSTEM PROVISIONS		01
30	NAS43DD3-6FC	. SPACER		01
- 30A	NAS43DD3-6N	. SPACER ALT FOR NAS43DD3-6FC		01
31	MS21919DG6	. CLAMP		01
32	AN525-10R12	. SCREW		01
33	MS21044N3	. NUT		01
34	2600102-87	. LINE ASSY		01
35	2600102-88	. LINE ASSY		01
- 36	AS5194D0502	. UNION USED WITH OXYGEN SYSTEM PROVISIONS		01
- 37	S2093-3	. COVER USED WITH OXYGEN SYSTEM PROVISIONS		01
38	2600102-93	. LINE ASSY-OXYGEN		01
- 39	AS5194D0502	. UNION USED WITH OXYGEN SYSTEM PROVISIONS		01
- 40	S2093-3	. COVER USED WITH OXYGEN SYSTEM PROVISIONS		01
41	2600102-89	. LINE ASSY		01
42	2600102-90	. LINE ASSY		01
43	2600102-91	. LINE ASSY		01
- 44	AS5194D0502	. UNION USED WITH OXYGEN SYSTEM PROVISIONS		01
- 45	S2093-3	. COVER USED WITH OXYGEN SYSTEM PROVISIONS		01
46	2600102-92	. LINE ASSY FSO 2600102-147 REFER TO NOTE 1		NP
- 46A	2600102-147	. LINE ASSY REFER TO NOTE 1		01
- 46B	MS20822-5D	. ELBOW REFER TO NOTE 1		01
- 47	AS5194D0502	. UNION USED WITH OXYGEN SYSTEM PROVISIONS		01
- 48	S2093-3	. COVER USED WITH OXYGEN SYSTEM PROVISIONS		01
49	2600102-94	. LINE ASSY		01
50	AN821-5D	. ELBOW		02
51	2600102-48	. LINE ASSY		01
52	AS5174D0505	. UNION		01
53	2600102-50	. LINE ASSY		01
54	2600102-63	. LINE ASSY		01
55	2600102-98	. LINE ASSY		01
- 56	AS5194D0502	. UNION USED WITH OXYGEN SYSTEM PROVISIONS		01
- 57	S2093-3	. COVER USED WITH OXYGEN SYSTEM PROVISIONS		01

NOTE 1—PART NUMBER 2600102-92 REPLACED BY 2600102-147 AND MS20822-5D

NOTE 2—THE O2C11T12-238 REPLACES THE COMBINATION OF S1722-238 AND S1399-2-234.00. BOTH MUST BE REPLACED AT THE SAME TIME.

CESSNA®
MODEL 208
 ILLUSTRATED PARTS CATALOG

A24870



OXYGEN SYSTEM - 13 PORT PASSENGER VERSION
 FIGURE 03 (SHEET 2)

26107005
 A2614T1112(2)
 B2614T1112(2)
 C2614T1112(2)
 D2614T1112(2)

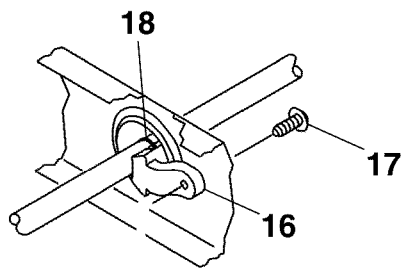
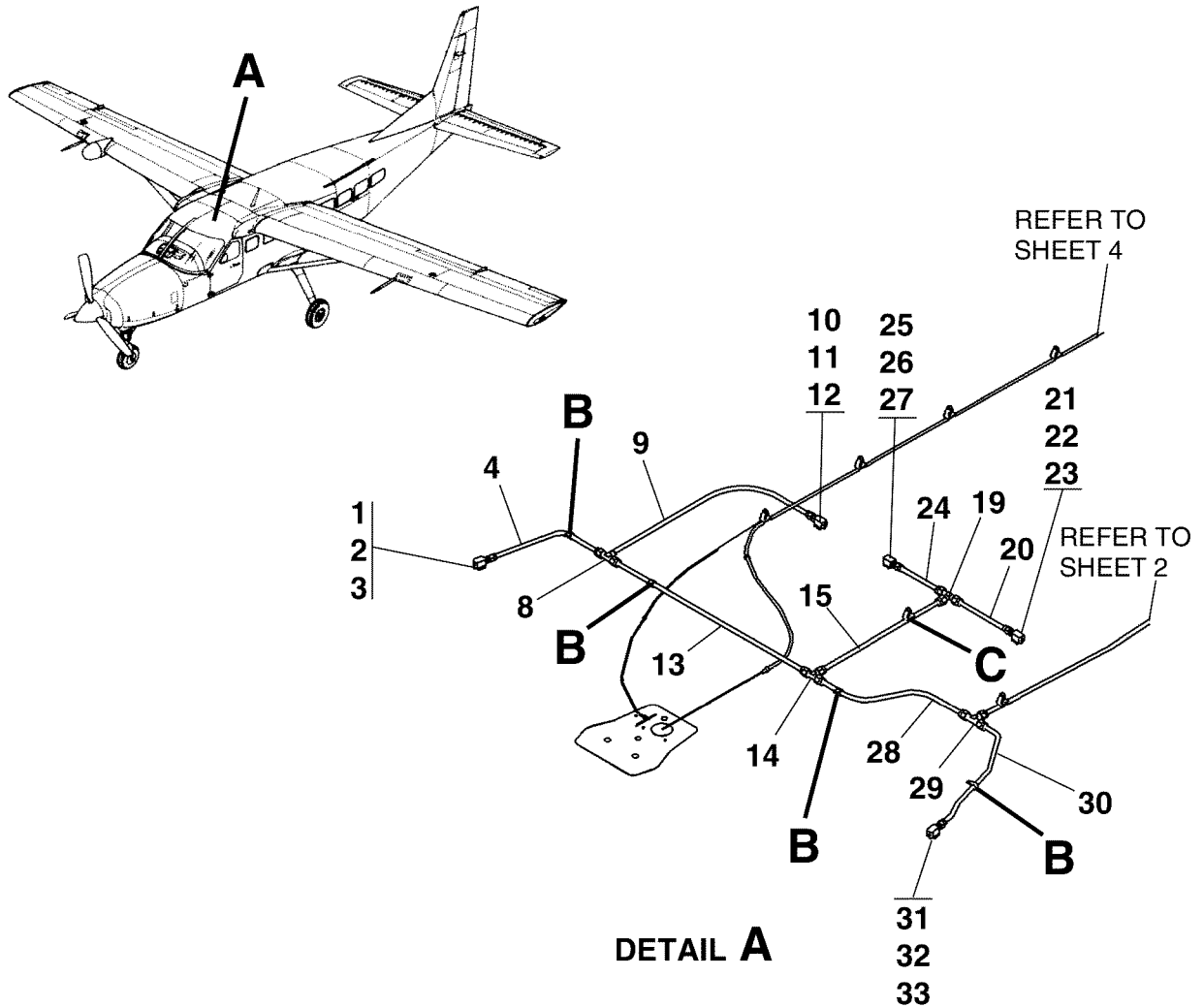
CESSNA®
MODEL 208
 ILLUSTRATED PARTS CATALOG

FIG ITEM	PART NUMBER	NOMENCLATURE							UNITS PER ASSY
		1	2	3	4	5	6	7	
03									
75	S4132-1	.							35
76	S1021Z8-8	.							35
77	S2209-1	.							35
78	S2606-1	.							01
79	AN742D3	.							01
80	MS35206-263	.							01
81	MS21044N3	.							01
82		.							RF
		.							
		.							
83		.							RF
84	2600102-66	.							01
- 85	AS5194D0502	.							01
- 86	S2093-3	.							01
87	2600102-95	.							01
88	MS21919DG6	.							03
- 89	AN525-10R7	.							03
- 90	MS21044N3	.							03
91	2600102-99	.							01
92	2600102-100	.							NP
- 92A	2600102-148	.							01
- 93	AS5194D0502	.							01
- 94	S2093-3	.							01
95	2600102-101	.							NP
- 95A	2600102-149	.							01
- 96	AS5194D0502	.							01
- 97	S2093-3	.							01
98	2600102-96	.							01
99	2600102-98	.							01
- 100	AS5194D0502	.							01
- 101	S2093-3	.							01

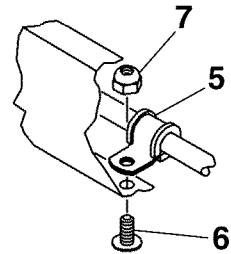
- ITEM NOT ILLUSTRATED

CESSNA®
MODEL 208
 ILLUSTRATED PARTS CATALOG

A24873



DETAIL C
 (TYPICAL)



DETAIL B
 (TYPICAL)

26107005
 A2614T1227
 B2614T1146
 C2614T1146

OXYGEN SYSTEM - 14 PORT PASSENGER VERSION
 FIGURE 04 (SHEET 1)

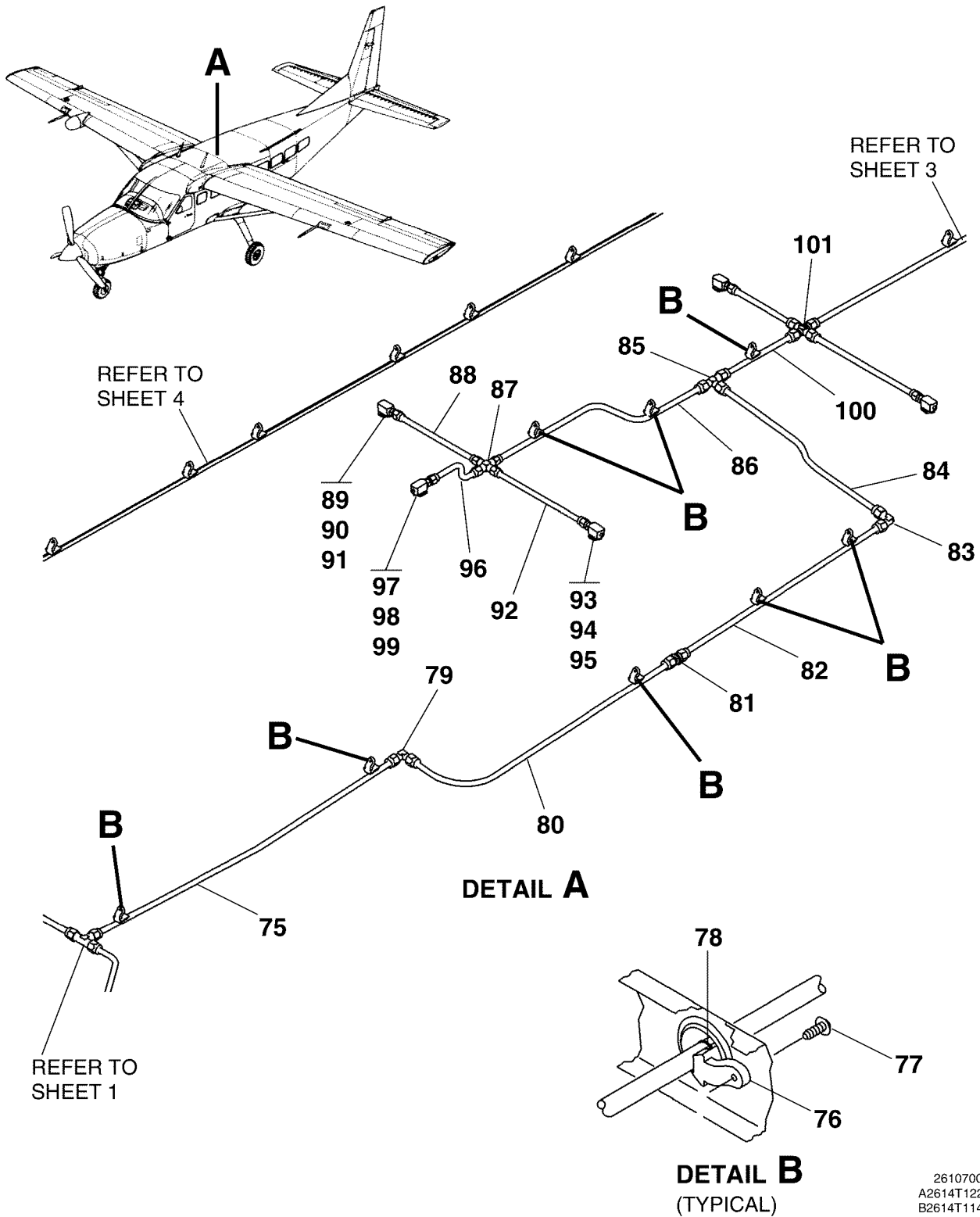
CESSNA®
MODEL 208
 ILLUSTRATED PARTS CATALOG

FIG ITEM	PART NUMBER	NOMENCLATURE	UNITS	
			PER	ASSY
		1 2 3 4 5 6 7		
04		OXYGEN SYSTEM - 14 PORT PASSENGER VERSION	B0466	& ON RF
-			
1			RF
2			RF
3	MS27769D2		01
4	2600102-97		01
5	MS21919WDG6		02
		ATTACHING PARTS		
6	AN525-10R7		01
7	MS21044N3		01
		—*—		
8	AN824-5D		01
9	2600102-98		01
10			RF
11			RF
12	MS27769D2		01
13	2600102-96		01
14	AN824-5D		01
15	2600102-99		01
16	S4132-1		02
		ATTACHING PARTS		
17	S1021Z8-8		01
		—*—		
18	S2209-1		02
19	AN824-5D		01
20	2600102-101	B0466	B0603 NP
- 20A	2600102-149	B0604	& ON 01
21			RF
22			RF
23	MS27769D2		01
24	2600102-100	B0466	B0603 NP
- 24A	2600102-148	B0604	& ON 01
25			RF
26			RF
27	MS27769D2		01
28	2600102-95		01
29	AN824-5D		01
30	2600102-66		01
31			RF
32			RF
33	MS27769D2		01
- 34			RF

- ITEM NOT ILLUSTRATED

CESSNA®
MODEL 208
 ILLUSTRATED PARTS CATALOG

A24877



OXYGEN SYSTEM - 14 PORT PASSENGER VERSION
 FIGURE 04 (SHEET 2)

26107005
 A2614T1227
 B2614T1146

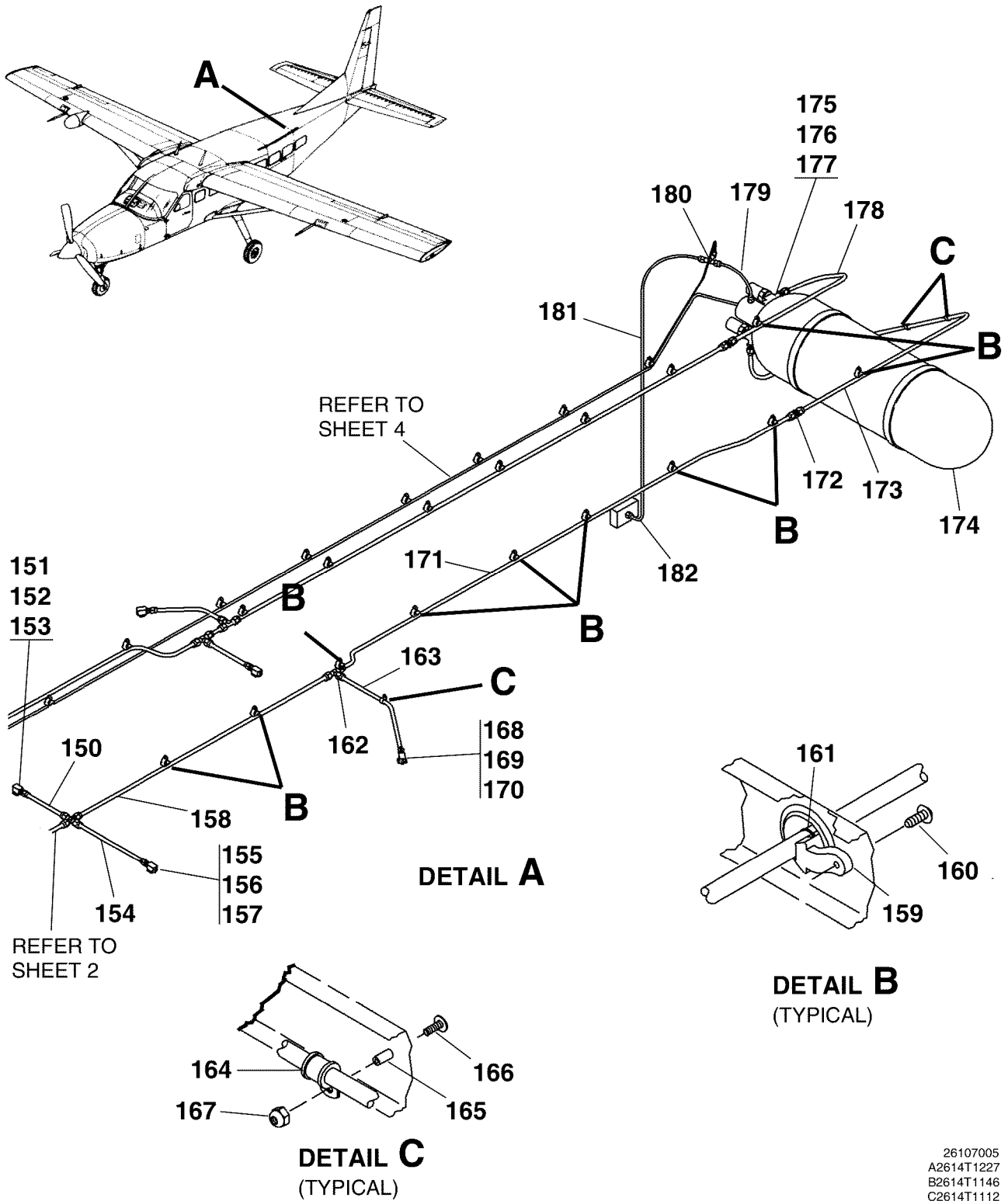
CESSNA®
MODEL 208
 ILLUSTRATED PARTS CATALOG

FIG ITEM	PART NUMBER	NOMENCLATURE							UNITS PER ASSY
		1	2	3	4	5	6	7	
04									
75	2600102-63	.							01
76	S4132-1	.							02
		.							
		.							
77	S1021Z8-8	.							01
		.							
		.							
78	S2209-1	.							02
79	AN821-5D	.							01
80	2600102-50	.							01
81	AS5174D0505	.							01
82	2600102-48	.							01
83	AN821-5D	.							01
84	2600102-94	.							01
85	AN824-5D	.							01
86	2600102-90	.							01
87	AS1036D05050505	.							01 R
88	2600102-91	.							01
89		.							RF
90		.							RF
91	MS27769D2	.							01
92	2600102-92	.						B0466 B0603	NP
- 92A	2600102-147	.						B0604 & ON	01
93		.							RF
94		.							RF
95	MS27769D2	.							01
96	2600102-139	.							01
97		.							RF
98		.							RF
99	MS27769D2	.							01
100	2600102-89	.							01
101	AS1036D05050505	.							01 R

- ITEM NOT ILLUSTRATED

CESSNA®
MODEL 208
 ILLUSTRATED PARTS CATALOG

A24878



OXYGEN SYSTEM - 14 PORT PASSENGER VERSION
 FIGURE 04 (SHEET 3)

26107005
 A2614T1227
 B2614T1146
 C2614T1112

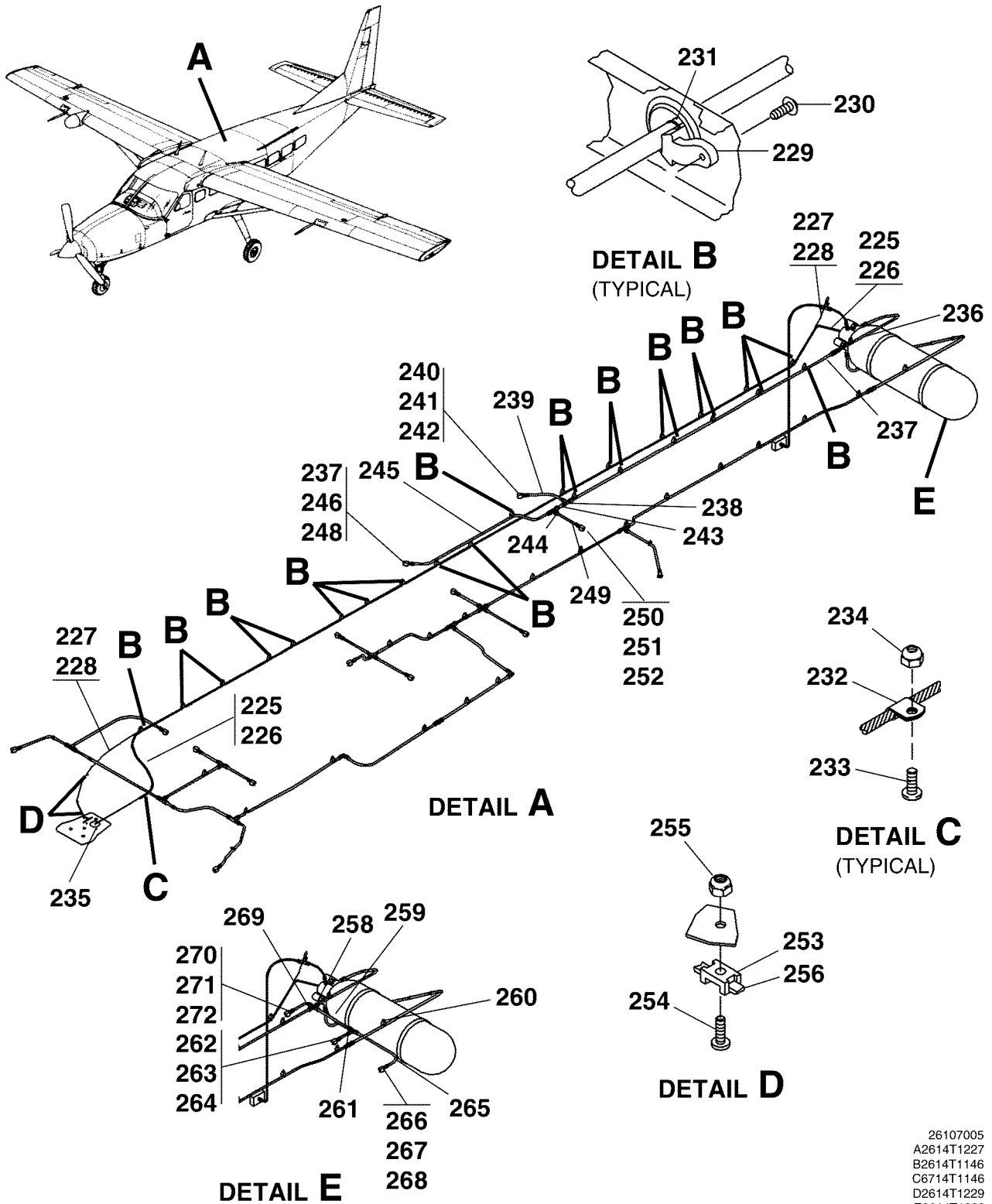
CESSNA®
MODEL 208
 ILLUSTRATED PARTS CATALOG

FIG ITEM	PART NUMBER	NOMENCLATURE	UNITS
			PER ASSY
		1 2 3 4 5 6 7	
04			
150	2600102-88	. LINE ASSY	01
151		. OUTLET ASSY-OXYGEN REFER TO 35-13-00 FIGURE 01	RF
152		. MASK AND LINE ASSY-PASSENGER REFER TO 35-15-00 FIGURE 01	RF
153	MS27769D2	. PLUG	01
154	2600102-93	. LINE ASSY	01
155		. OUTLET ASSY-OXYGEN REFER TO 35-13-00 FIGURE 01	RF
156		. MASK AND LINE ASSY-PASSENGER REFER TO 35-15-00 FIGURE 01	RF
157	MS27769D2	. PLUG	01
158	2600102-87	. LINE ASSY	01
159	S4132-1	. ANCHOR	AR
		ATTACHING PARTS	
160	S1021Z8-8	. SCREW-MOUNT	01
		—*—	
161	S2209-1	. TIE	AR
162	AN824-5D	. TEE	01
163	2600102-83	. LINE ASSY	01
164	MS21919WDG6	. CLAMP	01
165	NAS43DD3-20FC	. SPACER	01
		ATTACHING PARTS	
- 165A	NAS43DD3-20N	. SPACER ALT FOR NAS43DD3-20FC	01
166	AN525-10R12	. SCREW	01
167	MS21044N3	. NUT	01
		—*—	
168		. OUTLET ASSY-OXYGEN REFER TO 35-13-00 FIGURE 01	RF
169		. MASK AND LINE ASSY-PASSENGER REFER TO 35-15-00 FIGURE 01	RF
170	MS27769D2	. PLUG	01
171	2600102-138	. LINE ASSY	01
172	AS5174D0505	. UNION	01
173	2600102-141	. LINE ASSY-OXYGEN CYLINDER TO PORTS	01
174		. OXYGEN CYLINDER AND REGULATOR ASSY REFER TO 35-01-00 FIGURE 02	RF
175	172055	. ALTITUDE REGULATOR V02217	01
176	AN911-1D	. NIPPLE	01
177	AN815-5D	. UNION	01
178	2600102-140	. LINE ASSY-OXYGEN CYLINDER TO PORTS	01
179	S1723-5	. LINE ASSY-TEE TO REGULATOR	01
180	S1724-1	. TEE	01
181	S1721-34	. LINE ASSY-OXYGEN CYLINDER TO FILLER VALVE	01
182		. OXYGEN FILLER VALVE ASSY REFER TO 35-11-00 FIGURE 01	RF

- ITEM NOT ILLUSTRATED

CESSNA®
MODEL 208
 ILLUSTRATED PARTS CATALOG

A24879



OXYGEN SYSTEM - 14 PORT PASSENGER VERSION
 FIGURE 04 (SHEET 4)

26107005
 A2614T1227
 B2614T1146
 C6714T1146
 D2614T1229
 E2614T1228

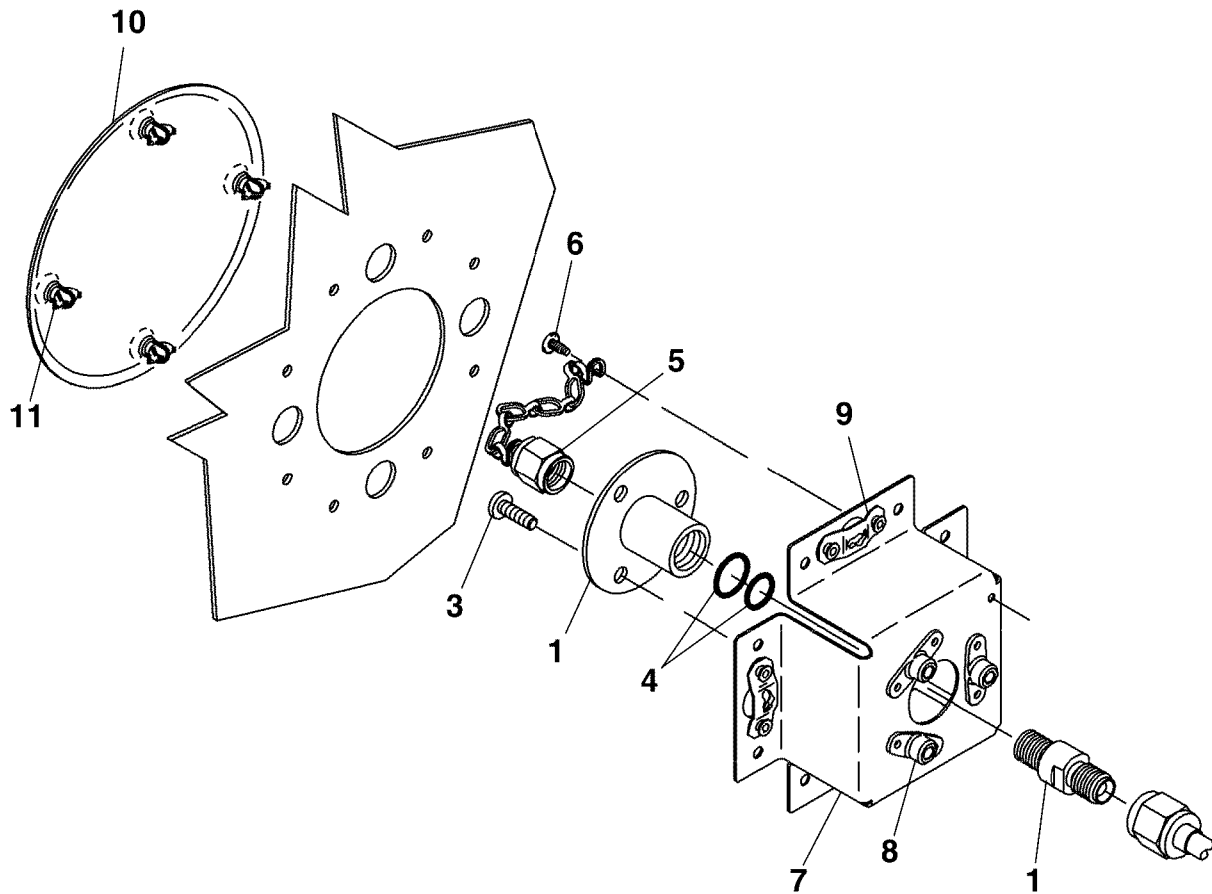
CESSNA®
MODEL 208
ILLUSTRATED PARTS CATALOG

FIG ITEM	PART NUMBER	NOMENCLATURE	1 2 3 4 5 6 7							UNITS PER ASSY
04										
225	S1398-1	. WIRE-OXYGEN CONTROL 240.00 IN LG BLK								01
226	S1398-2	. CASING-OXYGEN CONTROL 234.00 IN LG BLK								01
227	S1722-238	. LINE ASSY-CAPILLARY TO OXYGEN GAGE FSO O2C11T12-238 REFER TO NOTE 1.								NP
- 227A	O2C11T12-238	. CAPILLARY TUBE-OXYGEN CAPILLARY TO OXYGEN GAGE FSO O2C11T12-238 REFER TO NOTE 1.								01
228	S1399-2-234.00	. SLEEVE-SPIRAL WRAP FSO O2C11T12-238 REFER TO NOTE 1								01
229	S4132-1	. ANCHOR								AR
		. ATTACHING PARTS								
230	S1021Z8-8	. SCREW								01
		. —*—								
231	S2209-1	. TIE								AR
232	AN742D3	. CLAMP								01
		. ATTACHING PARTS								
233	MS35206-263	. SCREW								01
234	MS21044N3	. NUT								01
		. —*—								
235		. GAGE-OXYGEN REFER TO 35-14-00 FIGURE 01								RF
236	AS5174D0505	. UNION								01
237	2600102-137	. LINE ASSY								01
238	AN824-5D	. TEE								01
239	2600102-81	. LINE ASSY								01
240		. OUTLET ASSY-OXYGEN REFER TO 35-13-00 FIGURE 01								RF
241		. MASK AND LINE ASSY-PASSENGER REFER TO 35-15-00 FIGURE 01								RF
242	MS27769D2	. PLUG								01
243	2600102-84	. LINE ASSY								01
244	AN824-5D	. TEE								01
245	2600102-86	. LINE ASSY								01
246		. OUTLET ASSY-OXYGEN REFER TO 35-13-00 FIGURE 01								RF
- 247		. MASK AND LINE ASSY-PASSENGER REFER TO 35-15-00 FIGURE 01								RF
248	MS27769D2	. PLUG								01
249	2600102-85	. LINE ASSY								01
250		. OUTLET ASSY-OXYGEN REFER TO 35-13-00 FIGURE 01								RF
251		. MASK AND LINE ASSY-PASSENGER REFER TO 35-15-00 FIGURE 01								RF
252	MS27769D2	. PLUG								01
253	S1741-1	. ANCHOR-STA STRAP								02
		. ATTACHING PARTS								
254	MS35206-245	. SCREW								01
255	MS21044N08	. NUT								01
		. —*—								
256	S2209-1	. TIE								02
- 257		. OXYGEN INSTALLATION-AFT BENCH								RF
258	AS1036D05050505	. CROSS								01 R
259	2600102-143	. LINE ASSY								01
260	AN824-5D	. TEE								01
261	2600102-144	. LINE ASSY								01
262		. OUTLET ASSY-OXYGEN REFER TO 35-13-00 FIGURE 01								RF
263		. MASK AND LINE ASSY-PASSENGER REFER TO 35-15-00 FIGURE 01								RF
264	MS27769D2	. PLUG								01
265	2600102-145	. LINE ASSY								01
266		. OUTLET ASSY-OXYGEN REFER TO 35-13-00 FIGURE 01								RF
267		. MASK AND LINE ASSY-PASSENGER REFER TO 35-15-00 FIGURE 01								RF
268	MS27769D2	. PLUG								01
269	2600102-142	. LINE ASSY								01
270		. OUTLET ASSY-OXYGEN REFER TO 35-13-00 FIGURE 01								RF
271		. MASK AND LINE ASSY-PASSENGER REFER TO 35-15-00 FIGURE 01								RF
272	MS27769D2	. PLUG								01
- 273	1200415-7	. ESCUTCHEON								03
- 274	2601100-4	. BRACKET								03

NOTE 1—THE O2C11T12-238 REPLACES THE COMBINATION OF S1722-238 AND S1399-2-234.00. BOTH MUST BE REPLACED AT THE SAME TIME

CESSNA®
MODEL 208
ILLUSTRATED PARTS CATALOG

A24866



2614T1197

OXYGEN FILLER VALVE INSTALLATION
FIGURE 01 (SHEET 1)

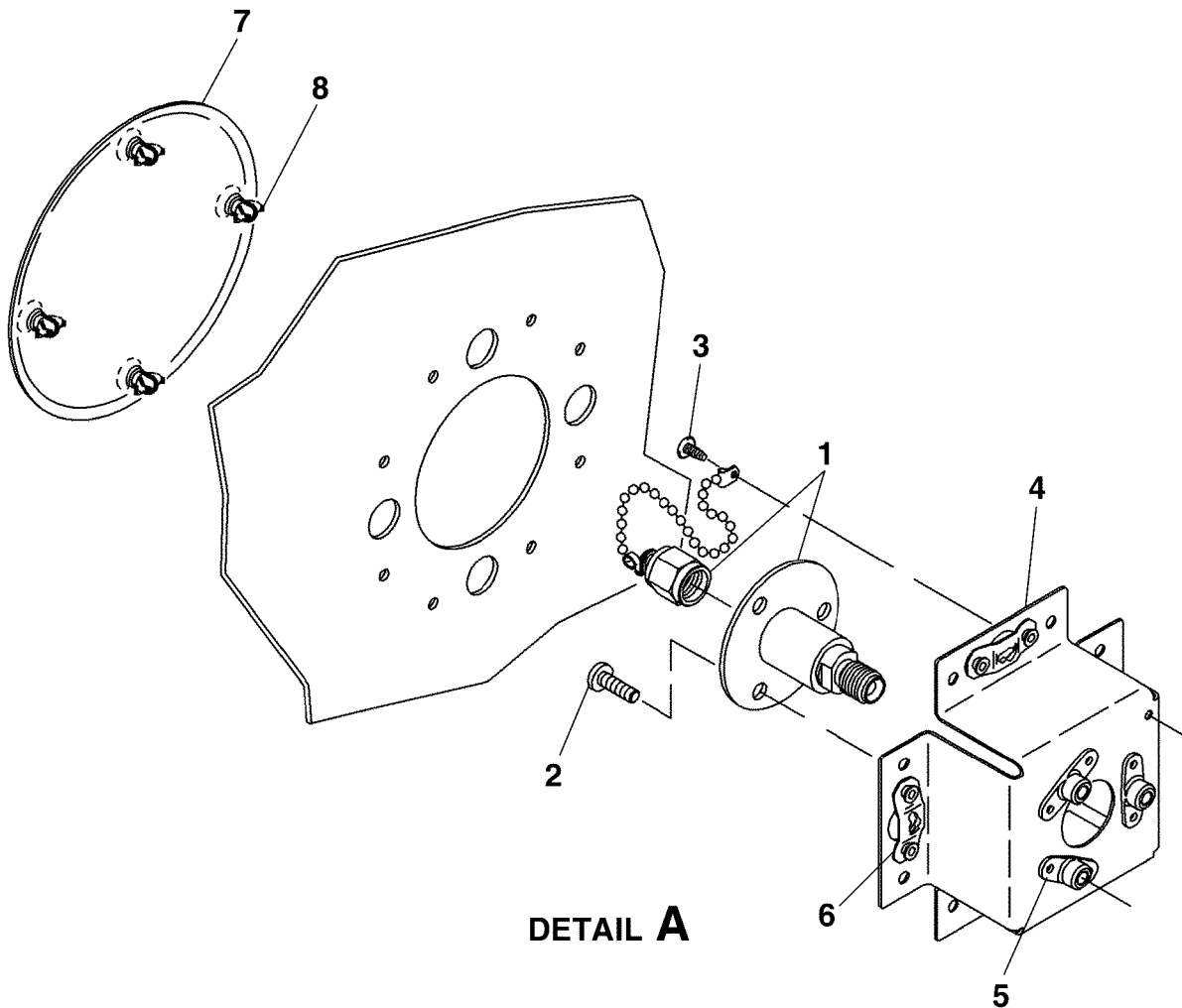
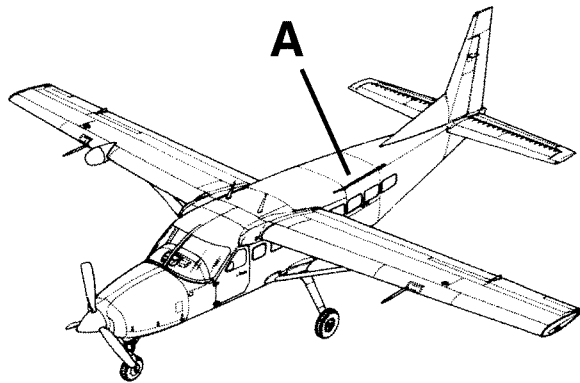
CESSNA®
MODEL 208
 ILLUSTRATED PARTS CATALOG

FIG ITEM	PART NUMBER	NOMENCLATURE	UNITS PER ASSY	
			1 2 3 4 5 6 7	
01		OXYGEN FILLER VALVE INSTALLATION		RF
- 1	C166008-0101	. VALVE ASSY-FILLER OXYGEN FSO 9912057-13	0001 0207	NP
			B0001 B0254	
- 2	9912057-13	. VALVE ASSY-FILLER OXYGEN	0208 & ON	01
			B0255 & ON	
		ATTACHING PARTS		
3	MS35206-245	. SCREW		03
		—*—		
4	C166008-0103	. O-RING KIT		01
5	S1520-1	. CAP AND CHAIN ASSY		01
		ATTACHING PARTS		
6	S1021Z4-6	. SCREW		01
		—*—		
7	2506015-2	. BRACKET ASSY-OXYGEN FILLER VALVE		01
8	MS21047L08K	. NUTPLATE		03
9	S1115-19	. RECEPTACLE		04
10	1200226-1	. COVER ASSY-OXYGEN FILLER VALVE	0001 0230	01
			B0001 B0343	
- 10A	1200226-3	. COVER ASSY-OXYGEN FILLER VALVE	0231 & ON	01
			B0344 & ON	
11	S1115-41	. STUD	0001 0230	04 R
			B0001 B0343	
- 11A	S1115-42	. STUD	0231 & ON	04
			B0344 & ON	
- 12	S1115-9	. RING		04

- ITEM NOT ILLUSTRATED

CESSNA®
MODEL 208
ILLUSTRATED PARTS CATALOG

A24868



DETAIL A

26107002
A2614T1114

OXYGEN FILLER VALVE INSTALLATION
FIGURE 02 (SHEET 1)

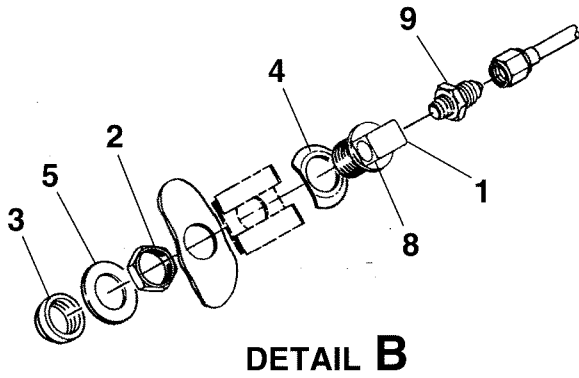
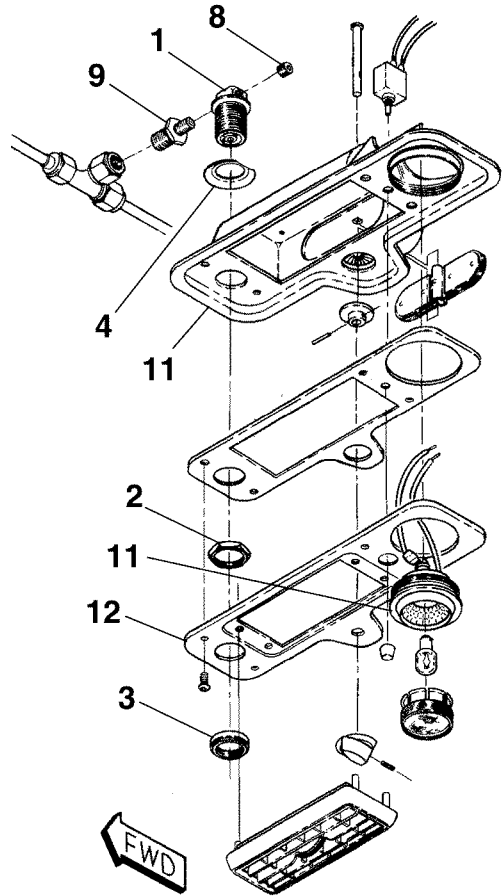
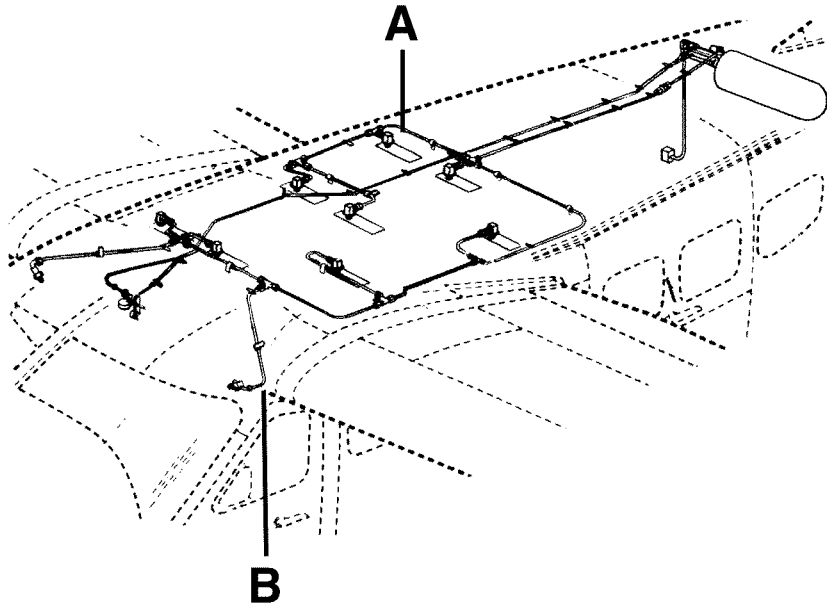
CESSNA®
MODEL 208
 ILLUSTRATED PARTS CATALOG

FIG ITEM	PART NUMBER	NOMENCLATURE	UNITS PER ASSY		
			1	2	3
02					
-		OXYGEN FILLER VALVE INSTALLATION	B0214	& ON	RF
1	9912057-13	. VALVE ASSY-FILLER OXYGEN			01
		ATTACHING PARTS			
2	MS35206-245	. SCREW			03
		—*—			
3	S1021Z4-6	. SCREW CHAIN ATTACH			01
4	2506015-2	. BRACKET ASSY-OXYGEN FILLER VALVE			01
5	MS21047L08K	. . NUTPLATE			03
6	S1115-19	. . RECEPTACLE			04
7	1200226-1	. COVER ASSY-OXYGEN FILLER VALVE	B0214	B0343	01
- 7A	1200226-3	. COVER ASSY-OXYGEN FILLER VALVE	B0344	& ON	01
8	S1115-41	. . STUD	B0214	B0343	04
- 8A	S1115-42	. . STUD	B0344	& ON	04
- 9	S1115-9	. . RING			04

- ITEM NOT ILLUSTRATED

CESSNA®
MODEL 208
 ILLUSTRATED PARTS CATALOG

A24869



DETAIL B

DETAIL A

26141046
 A26143010
 B26141042

OXYGEN OUTLET VALVE ASSEMBLIES
 FIGURE 01 (SHEET 1)

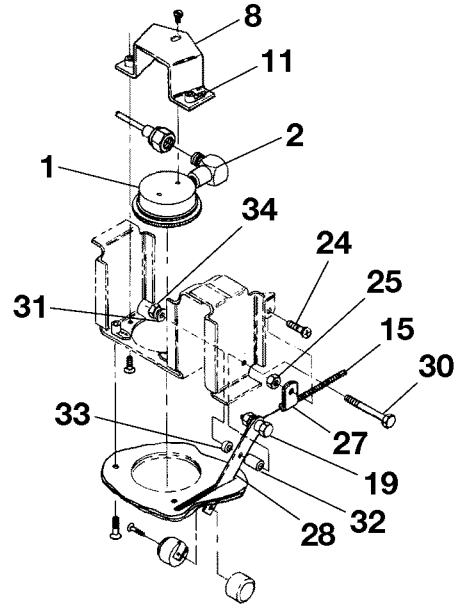
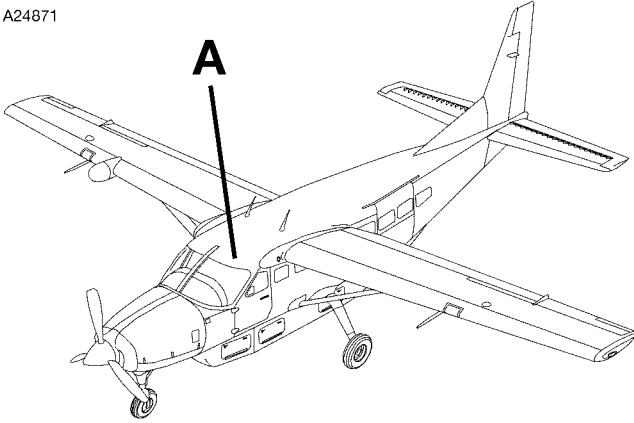
CESSNA®
MODEL 208
 ILLUSTRATED PARTS CATALOG

FIG ITEM	PART NUMBER	NOMENCLATURE	UNITS PER ASSY		
			1	2	3
01					
-		OXYGEN OUTLET VALVE ASSEMBLIES			RF
1	C166006-0202	. OUTLET ASSY-OXYGEN			AR
2	Z431	. . NUT-JAMB	V02217		01
3	Z435	. . RING	V02217		01
4	1200415-11	. ESCUTCHEON			AR
5	1200415-7	. ESCUTCHEON	0001	0207	02
			B0001	& ON	
- 6	2615124-53	. OXYGEN RING	0208	0266	10
- 6A	2615124-53	. OXYGEN RING-CARGOMASTER	0208	0266	02
- 6B	1200415-7	. ESCUTCHEON	0267	& ON	02
- 7	1200415-7	. ESCUTCHEON PASSENGER VERSION	B0214	& ON	02
8	MS27769D2	. PLUG			02
9	AS5194D0502	. ADAPTER			02
- 10	S2093-3	. COVER USED WITH OXYGEN SYSTEM PROVISIONS	0001	0207	02
- 10A	S2093-3	. COVER USED WITH OXYGEN SYSTEM PROV-PASS	B0466	& ON	16
- 10B	AS5195W0502	. ELBOW	B0466	& ON	01 R
11		. READING LIGHTS REFER TO 33-20-00 FIGURE 02			RF
12	2610020-90	. COVER ASSY USED WITH OXYGEN AND LIGHTS			AR
		ATTACHING PARTS			
- 13	MS35206-247	. SCREW			04
		—*—			

- ITEM NOT ILLUSTRATED

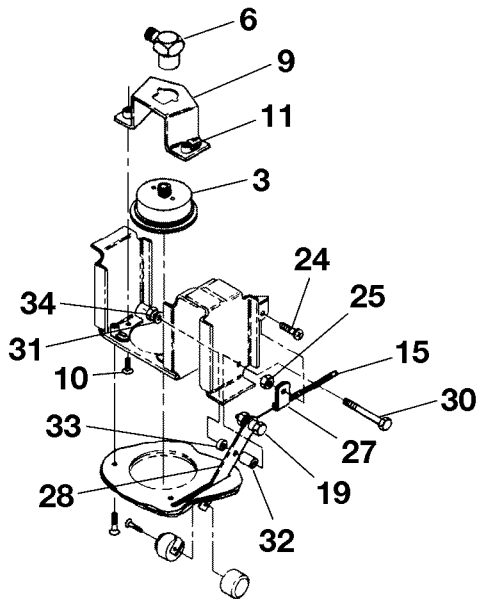
CESSNA®
MODEL 208
 ILLUSTRATED PARTS CATALOG

A24871



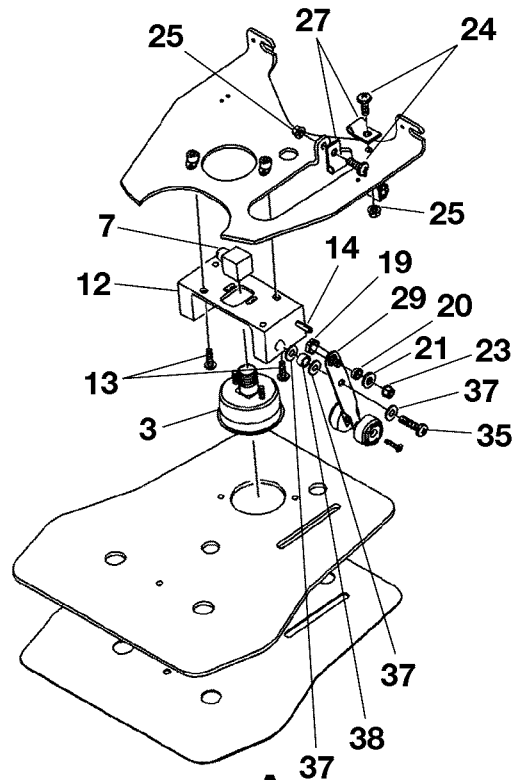
DETAIL A

AIRPLANES 20800001 THRU 20800158
 AND 208B0001 THRU 208B0185



DETAIL A

AIRPLANES 20800159 THRU 20800223
 AND 208B0186 THRU 208B0326



DETAIL A

AIRPLANES 20800224 AND ON
 AND 208B0327 AND ON

2610T7004
 A2614R1082
 A2614R1168
 A2614R1118

OXYGEN CONTROL INSTALLATION
 FIGURE 01 (SHEET 1)

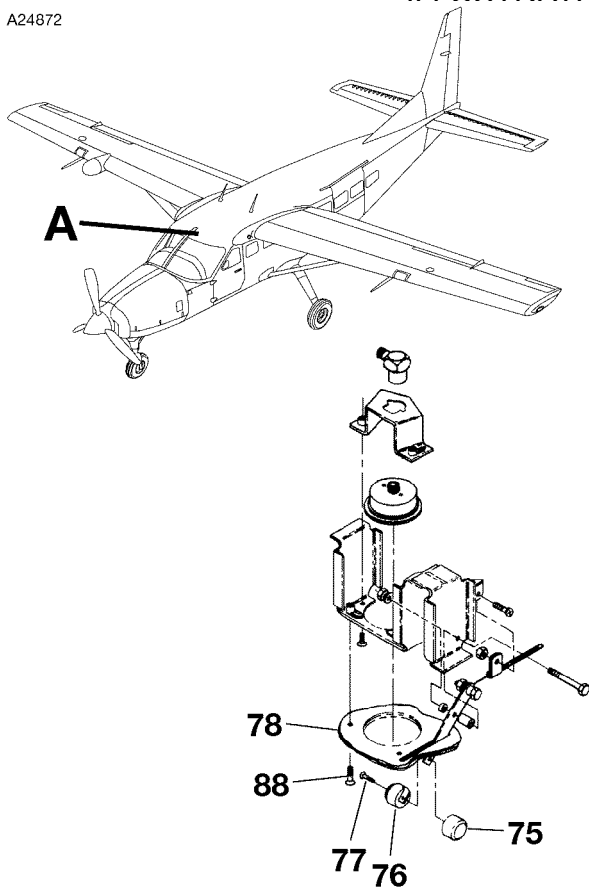
CESSNA®
MODEL 208
ILLUSTRATED PARTS CATALOG

FIG ITEM	PART NUMBER	NOMENCLATURE	UNITS	
			PER	ASSY
01		OXYGEN CONTROL INSTALLATION		RF
-				NP
1	C166010-0101	. OXYGEN GAGE ASSY FSO C166010-0115	0001 0158	
			B0001 B0185	
2	S1529-1	. . ELBOW	0001 0158	01
			B0001 B0185	
3	C166010-0115	. OXYGEN GAGE ASSY FSO 171044-01	0159 0237	NP
			B0186 B0394	
- 4	171044-01	. OXYGEN GAGE ASSY V02217	0238 & ON	01
			B0395 & ON	
- 5	NAS1149FN616P	. WASHER BETWEEN GAGE AND SUPPORT ASSY	0159 & ON	06
			B0186 & ON	
6	S1529-1	. ELBOW	0159 0223	01
			B0186 B0326	
7	2613457-1	. FITTING	0224 & ON	01
			B0327 & ON	
8	2606023-3	. RETAINER ASSY-OXYGEN GAGE ATTACH	0001 0158	01
			B0001 B0185	
9	2606023-5	. RETAINER ASSY-OXYGEN GAGE ATTACH	0159 0323	01
			B0186 B0326	
10	MS24693-S49	. SCREW-RETAINER ASSY ATTACH	0001 0223	02
			B0001 B0326	
11	MS21071L08	. . NUTPLATE	0001 0223	02
			B0001 B0326	
12	2613424-1	. SUPPORT ASSY-OXYGEN GAGE ATTACH	0224 & ON	01
			B0327 & ON	
13	MS35206-245	. SCREW		02
14	MS16562-39	. PIN-STOP	0224 & ON	02
15	S1398-1	. WIRE-OXYGEN CONTROL 192.00 IN LG BKI	0001 & ON	01
- 16	S1398-1	. WIRE-OXYGEN CONTROL 240.00 IN LG BKI	B0001 & ON	01
- 17	S1398-2	. CASING-WIRE 186.00 IN LG BKI	0001 & ON	01
- 18	S1398-2	. CASING-WIRE 234.00 IN LG BKI	B0001 & ON	01
		ATTACHING PARTS		
19	S2323-5	. CLAMP		01
20	NAS43DD3-6FC	. SPACER		01
21	NAS1149F0363P	. WASHER		01
- 22	MS21044N3	. NUT	0001 0223	01
			B0001 B0326	
23	MS21042L3	. NUT	0224 & ON	01
			B0327 & ON	
24	MS35207-263	. SCREW		01
25	MS21044N3	. NUT	0001 0223	01
			B0001 B0326	
- 26	MS21042L3	. NUT	0224 & ON	01
			B0327 & ON	
27	S2226-1	. CLAMP		01
		—*—		
28	2611190-1	. LEVER-OXYGEN CONTROL FSO 2611190-2	0001 0223	NP
			B0001 B0326	
29	2611190-2	. LEVER-OXYGEN CONTROL	0224 & ON	01
			B0327 & ON	
30	AN3-13A	. BOLT-LEVER ATTACH	0001 0223	01
			B0001 B0326	
31	NAS1149F0363P	. WASHER-LEVER ATTACH	0001 0223	01
			B0001 B0326	
32	NAS43DD3-40FC	. SPACER-OUTBOARD LEVER ATTACH	0001 0223	01
			B0001 B0326	
33	NAS43DD3-16FC	. SPACER-INBOARD LEVER ATTACH	0001 0223	01
			B0001 B0326	
34	MS21083N3	. NUT-LEVER ATTACH	0001 0223	01
			B0001 B0326	
35	MS35206-265	. SCREW-LEVER ATTACH	0224 & ON	01
			B0327 B4999	
- 36	MS27039-1-12	. SCREW-LEVER ATTACH	B5000 & ON	01
37	NAS1149F0332P	. WASHER-LEVER ATTACH	0224 & ON	03
			B0327 & ON	
38	NAS43DD3-12FC	. SPACER-LEVER ATTACH	0224 & ON	01
			B0327 & ON	

- ITEM NOT ILLUSTRATED

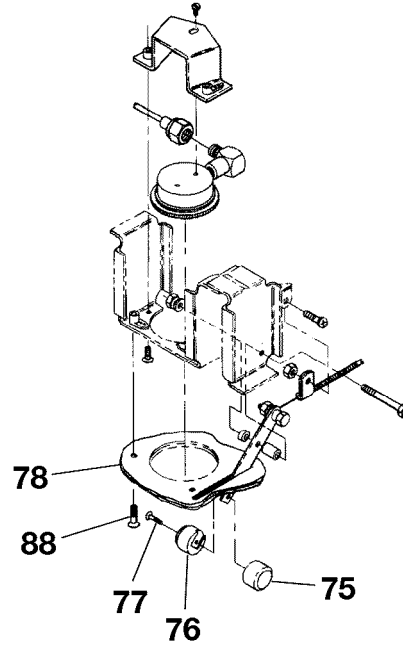
CESSNA®
MODEL 208
 ILLUSTRATED PARTS CATALOG

A24872



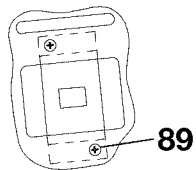
DETAIL A

AIRPLANES 20800159 THRU 20800223 AND
 AIRPLANES 208B0186 THRU 208B0326

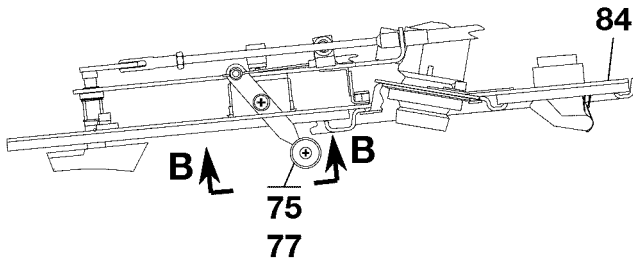


DETAIL A

AIRPLANES 20800001 THRU 20800158 AND
 AIRPLANES 208B0001 THRU 208B0185

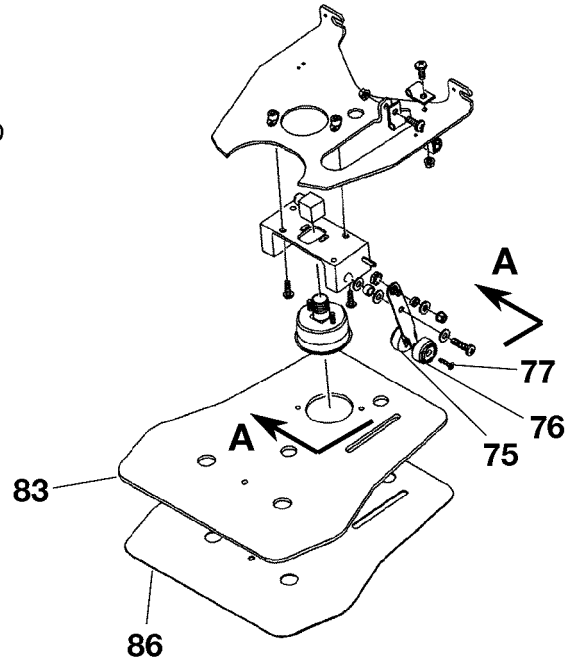


VIEW B-B



VIEW A-A

AIRPLANES 208B5000 AND ON



DETAIL A

AIRPLANES 20800224 AND ON AND
 AIRPLANES 208B0327 AND 208B4999

2610T7005
 A2614R1082
 A2614R1168
 A2614R1118
 AA2614T1465
 BB2614T1465

OXYGEN CONTROL INSTALLATION
 FIGURE 01 (SHEET 2)

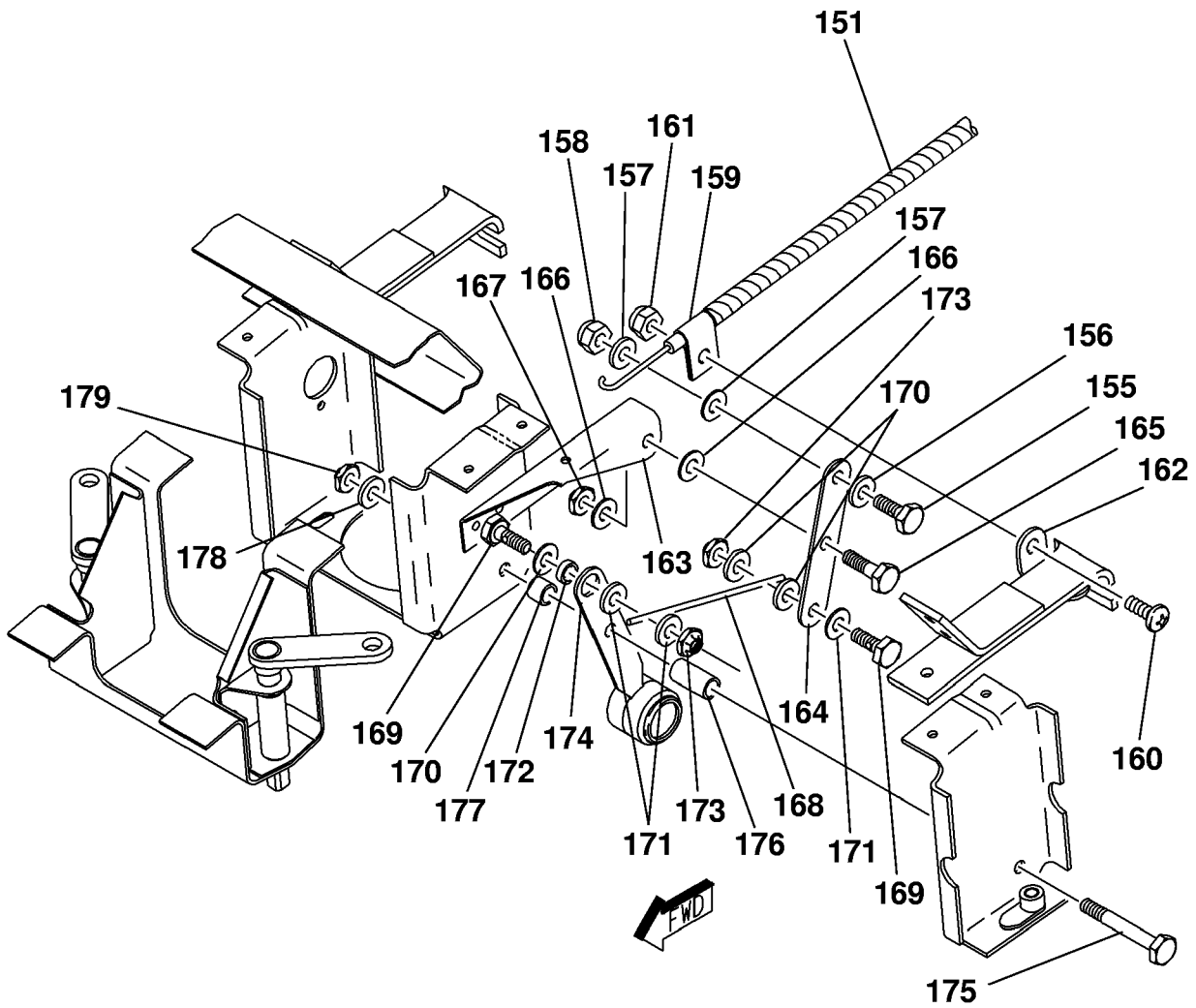
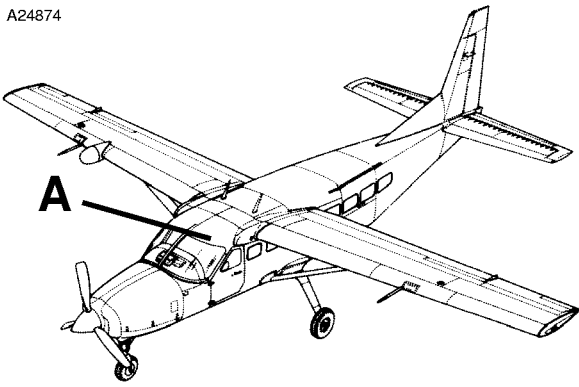
CESSNA®
MODEL 208
 ILLUSTRATED PARTS CATALOG

FIG ITEM	PART NUMBER	1 2 3 4 5 6 7	NOMENCLATURE	UNITS PER ASSY		
01						
75	S1953-1		. KNOB ASSY-OXYGEN CONTROL			01
76	S1953-3		. KNOB-OXYGEN CONTROL ATTACHING PARTS			01
77	MS24693-S6		. SCREW —*—			01
78	2606030-16		. PANEL ASSY WITH OXYGEN	0001 B0001	0158 B0185	01
- 79	2606030-17		. PANEL ASSY WITH OXYGEN	0159 B0186	0223 B0326	01
- 80			. PANEL ASSY WITHOUT OXYGEN REFER TO 28-23-00 FIGURE 01			RF
- 81	2606030-10		. LENS ASSY WITH OXYGEN	0001 B0001	0223 B0326	01
- 82			. LENS ASSY WITHOUT OXYGEN REFER TO 28-23-00 FIGURE 01			RF
83	2613437-5		. PANEL ASSY WITH OXYGEN	0224 B0327	& ON B4999	01
84	2613433-1		. PANEL ASSY WITH OXYGEN	B5000	B5501	01 R
- 84A	2613433-3		. PANEL ASSY WITH OXYGEN	B5502	& ON	01 R
- 85			. PANEL ASSY WITHOUT OXYGEN REFER TO 28-23-00 FIGURE 01			RF
86	2613437-11		. LENS ASSY WITH OXYGEN	0224 B0327	& ON & ON	01
- 87			. LENS ASSY WITHOUT OXYGEN REFER TO 28-23-00 FIGURE 01 ATTACHING PARTS			RF
88	AN507-1032R9		. SCREW	0001 B0186	0223 B0326	04
89	MS24693-BB51		. SCREW	0224 B0327	& ON B5501	03 R
- 89A	MS24693-BB51		. SCREW —*—	B5502	& ON	01 R

- ITEM NOT ILLUSTRATED

CESSNA®
MODEL 208
 ILLUSTRATED PARTS CATALOG

A24874



DETAIL A

AIRPLANES 2080001 THRU 20800223
 AND 208B0001 THRU 208B0326
 INCORPORATING SK208-115

2614T1198

OXYGEN CONTROL INSTALLATION
 FIGURE 01 (SHEET 3)

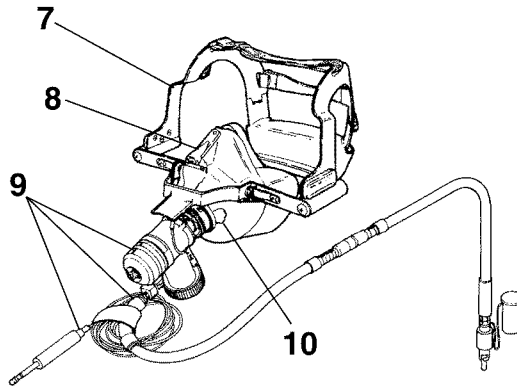
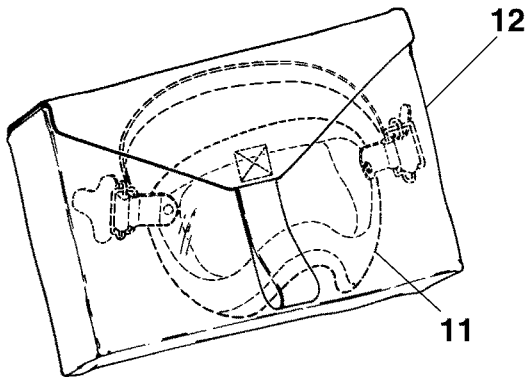
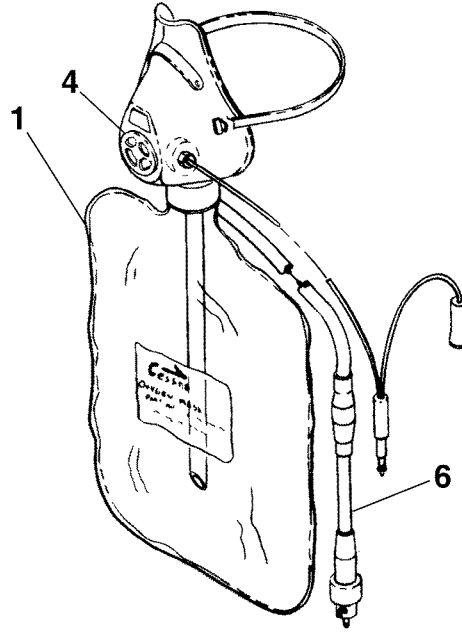
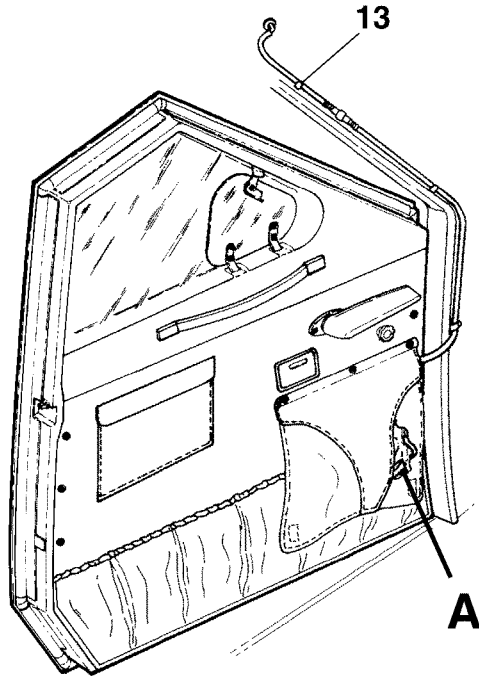
CESSNA®
MODEL 208
ILLUSTRATED PARTS CATALOG

FIG ITEM	PART NUMBER	NOMENCLATURE	UNITS PER ASSY		
			1	2	3
01					
- 150		. OXYGEN LEVER ARM INSTALLATION REFER TO NOTE 1	0001	0223	RF
			B0001	B0326	
151	S1398-1	. . WIRE-OXYGEN CONTROL 192.00 IN LG BKI 208			01
- 152	S1398-1	. . WIRE-OXYGEN CONTROL 240.00 IN LG BKI 208B			01
- 153	S1398-2	. . CASING-WIRE 186.00 IN LG BKI 208			01
- 154	S1398-2	. . CASING-WIRE 234.00 IN LG BKI 208B			01
		ATTACHING PARTS			
155	S2323-5	. . CLAMP			01
156	NAS1149F0332P	. . WASHER			01
157	NAS1149F0363P	. . WASHER			02
158	MS21044N3	. . NUT			01
		—*—			
159	S2226-1	. . CLAMP			01
		ATTACHING PARTS			
160	MS35206-263	. . SCREW			01
161	MS21044N3	. . NUT			01
		—*—			
162	AN743-13	. . BRACKET			01
163	2609090-2	. . BRACKET			01
164	2609090-4	. . LEVER			01
		ATTACHING PARTS			
165	AN3-5	. . BOLT			01
166	NAS1149F0332P	. . WASHER			02
167	MS21083N3	. . NUT			01
		—*—			
168	2609090-5	. . ROD			01
		ATTACHING PARTS			
169	S2323-8	. . CLAMP			02
170	NAS1149F0363P	. . WASHER			03
171	NAS1149F0332P	. . WASHER			03
172	NAS43DD3-6FC	. . SPACER			01
173	MS21083N3	. . NUT			02
		—*—			
174	2611190-2	. . LEVER-OXYGEN CONTROL			01
		ATTACHING PARTS			
175	AN3-13A	. . BOLT			01
176	NAS43DD3-40FC	. . SPACER OUTBOARD			01
- 176A	NAS43DD3-40N	. . SPACER OUTBOARD ALT FOR NAS43DD3-40FC			01
177	NAS43DD3-16FC	. . SPACER INBOARD			01
- 177A	NAS43DD3-16N	. . SPACER INBOARD ALT FOR NAS43DD3-16FC			01
178	NAS1149F0363P	. . WASHER			01
179	MS21083N3	. . NUT			01
		—*—			

NOTE 1—AIRPLANES -0001 THRU -0223 AND -B0001 THRU -B0326 INCORPORATING SK208-115.

CESSNA®
MODEL 208
ILLUSTRATED PARTS CATALOG

A24875



DETAIL A

26141031
A26142010
26141025
26142009

OXYGEN MASKS AND LINES
FIGURE 01 (SHEET 1)

**CESSNA®
MODEL 208
ILLUSTRATED PARTS CATALOG**

FIG ITEM	PART NUMBER	NOMENCLATURE	UNITS PER ASSY	
			1 2 3 4 5 6 7	
01		OXYGEN MASKS AND LINES		RF
-				
1	C166015-0102	. MASK AND LINE ASSY-PILOT OXYGEN WITH MIC REFER TO NOTE 1	0001 & ON	01
			B0045 & ON	
- 2	C166015-0101	. MASK AND LINE ASSY-PASSENGER REFER TO NOTE 1	0001 0207	09
			B0045 & ON	
- 2A	C166015-0101	. MASK AND LINE ASSY-PASSENGER REFER TO NOTE 1	0208 & ON	08
- 2B	C166015-0102	. MASK AND LINE ASSY-COPILOT REFER TO NOTE 1	0208 & ON	01
- 3	C166015-0101	. MASK AND LINE ASSY-14 PLACE PASSENGER REFER TO NOTE 1	0001 & ON	15
			B0214 B5193	
- 3A	C166015-0101	. MASK AND LINE ASSY-14 PLACE PASSENGER REFER TO NOTE 1	B5194 & ON	12
- 3B	C166015-0101	. MASK AND LINE ASSY-COPILOT REFER TO NOTE 1	B0466 & ON	01
4	800717-01	. . MASK ASSY-PILOT WITH MIC	V83564	01
- 5	802063-00	. . MASK ASSY-PASSENGER	V83564	01
6	C166015-0301	. . LINE AND FITTING ASSY		01
7	P20001	. MASK AND LINE ASSY WITH REGULATOR AND MIC FSO 359A3552	V52713 B0001 & ON	NP
		REFER TO NOTE 2		
- 7A	359A3552	. MASK AND LINE ASSY WITH REGULATOR AND MIC REFER TO NOTE 2	V53655 B0001 & ON	02
8	358-1106V1	. . MASK ASSY	V52713	01
9	900-700-036-94	. . REGULATOR AND LINE ASSY	V52713	01
10	ANB-MC-1	. . MICROPHONE		01
11	322-70	. SMOKE GOGGLES REFER TO NOTE 3	V52713 B0001 & ON	02
12	2615090-1	. CASE ASSY-SMOKE GOGGLES REFER TO NOTE 3	B0001 & ON	02
13	2601408-1	. CLIP	B0001 & ON	06

NOTE 1—APPLICABLE TO 208, CARGO MASTER AND 208B SUPER CARGOMASTER AND 208B PASSENGER VERSION.

NOTE 2—USED ONLY WITH THE C166001-1201 OXYGEN SYSTEM AND REGULATOR. REFER TO 35-01-00 FIGURE 1.

NOTE 3—NOT APPLICABLE TO CARGOMASTER AND 208B SUPER CARGOMASTER.

R